

## ADDENDUM

---

### TO SERVICE MANUAL FOR Tandy® 1100 FD LAPTOP COMPUTER Catalog Number: 25-3530 (U.S.A. Version)

This addendum covers details different from those described in the attached basic manual (U.S.A. version), for the equipment installed in the districts other than U.S.A. (Canada, Belgium, France, U.K. and Australia).

For European versions, FL backlight and sub assembly PCB are installed.

The connector for EMS RAM card is installed for Canadian, European and Australian versions as well. Use the basic manual replacing district names by those described in the corresponding pages of this addendum. Some items in the following contents have no district name. It indicates that those items are common to all districts other than U.S.A.

## CONTENTS

	Item	Basic manual page	Page In the addendum
PART II.	DISASSEMBLY INSTRUCTIONS		
	LCD Unit and Backlight Lamp Assembly (European versions) .....	2-8 .....	1-1
PART IV.	THEORY OF OPERATION		
	Keyboard Layout (U.K. and Belgium-1 versions) .....	4-47 .....	2-1
	Keyboard Layout (French version) .....	4-47 .....	2-1
	Keyboard Layout (Belgium-2 version) .....	4-47 .....	2-1
PART VI.	EXPLODED VIEW and PARTS LIST .....	6-1 & 2 .....	3-1 & 2
	Exploded View		
	Overall Assembly Diagram (European versions) .....	6-1 & 2 .....	3-1 & 2
	PARTS LIST		
	Main PCB Assembly Parts List (Canadian and Australian and European versions) .....	6-4 .....	3-3
	Sub Assembly PCB Parts List (European versions) .....	— .....	3-11
	FL Inverter PCB Parts List (European versions) .....	— .....	3-12

Item	Basic manual page	Page in the addendum
LCD Unit Assembly Parts List (European versions) .....	6-22 .....	3-12
Keyboard Unit Assembly Parts List (U.K. and Belgium-1 versions) .....	6-28 & 29 .....	3-13 & 14
Keyboard Unit Assembly Parts List (French version) .....	6-28 & 29 .....	3-14 & 15
Keyboard Unit Assembly Parts List (Belgium-2 version) .....	6-28 & 29 .....	3-16 & 17
Mechanical and Assembly Parts List (Canadian and Australian and European versions) .....	6-30 .....	3-17 & 18
Accessories (Canadian, Australian and European versions) .....	6-31 .....	3-18
Hardware Kit (European versions) .....	6-31 .....	3-18
<b>PART VII. CIRCUIT DIAGRAMS .....</b>	<b>7-1 .....</b>	<b>4-1</b>
Main PCB Circuit Diagram System Control, Peripheral Control and EEPROM Circuits (Sheet No. 2 of 9) (European version) .....	7-3 & 4 .....	4-1 & 2
LCDC, CG ROM and VRAM Circuits (Sheet No. 5 of 9) (European versions) .....	7-9 & 10 .....	4-3 & 4
DRAM, BIOS ROM and 4M-bit MASK ROM Circuits (Sheet No. 6 of 9) (Canadian, European and Australian versions) .....	7-11 & 12 .....	4-5 & 6
Real Time Clock, Beeper, LED Board, LCD Contrast Control and Test Connector Circuits (Sheet No. 8 of 9) (Canadian and Australian versions) .....	7-15 & 16 .....	4-7 & 8
(European versions) .....	7-15 & 16 .....	4-9 & 10
Power Supply Circuit (Sheet No. 9 of 9) (European versions) .....	7-17 & 18 .....	4-11 & 12
<b>PART VIII. PCB VIEWS .....</b>	<b>8-1 .....</b>	<b>5-1</b>
Main PCB Views (Canadian and Australian versions) .....	8-1 .....	5-1
(European versions) .....	8-1 .....	5-5

## PART II. DISASSEMBLY INSTRUCTIONS

### LCD Unit and Backlight Lamp Assembly (European versions)

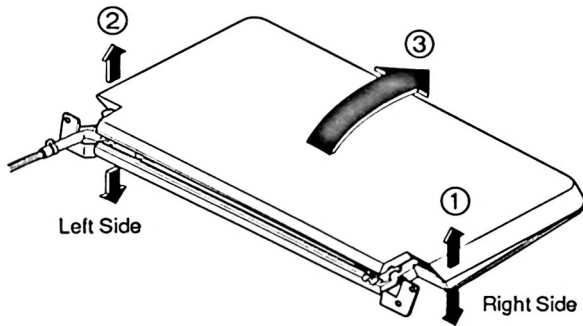


Figure 21

- (8) Gently lift up the right side of the upper LCD case a small amount and then lift up the left side. Remove the upper LCD case by gently lifting up the center of it as shown in Figure 21.

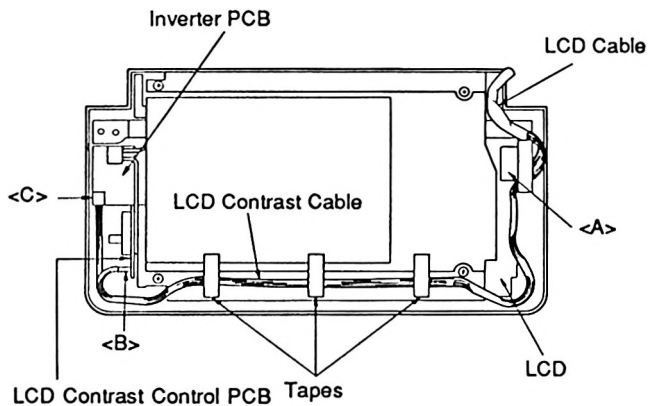


Figure 22

- (9) Place the LCD panel as shown in Figure 22 and remove the three connectors <A>, <B> and <C>.
- (10) After peeling off the three pieces of tape fixing the LCD contrast cable, remove the LCD cable from the display panel as shown in Figure 22.

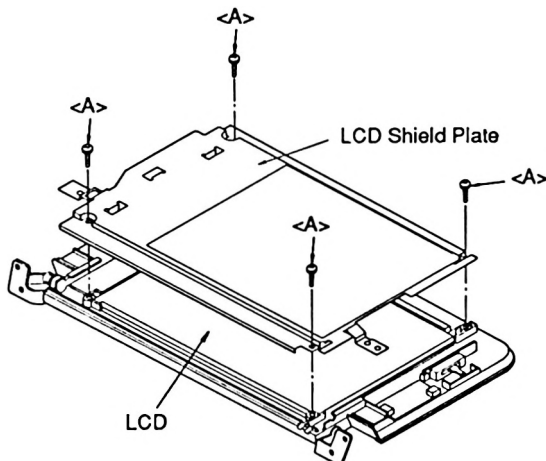


Figure 23

- (11) Remove four screws <A> (2.6 $\varnothing$ ×6) fixing the LCD shield plate as shown in Figure 23. Remove hinges and lift off LCD shield plate.

\*Reassemble in the reverse order.

# Backlight Lamp Assembly

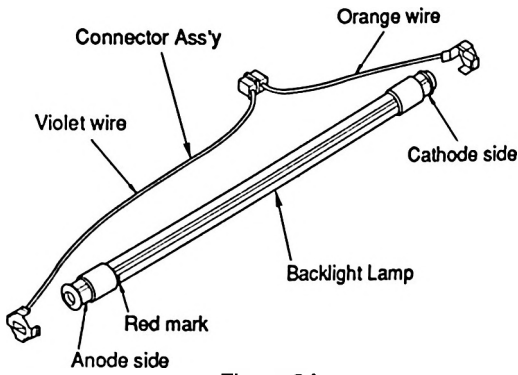


Figure 24

- (1) Connect the connector ass'y to the backlight lamp as shown in Figure 24.

Note: Make sure that both sides of the lamp are connected to the correct terminals.

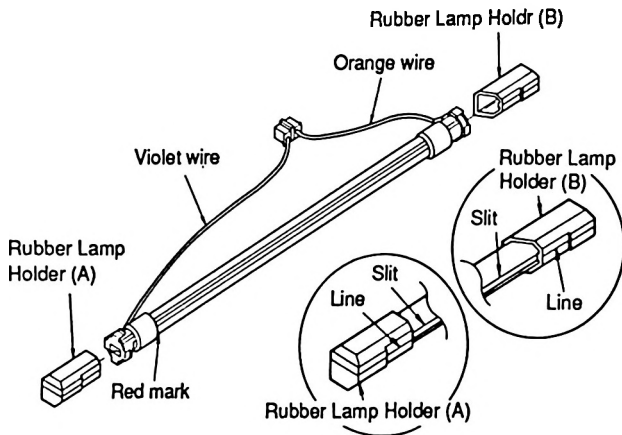


Figure 25

- (2) Attach the rubber lamp holders (A) and (B) to the both sides of the lamp as shown in Figure 25.

Note: The line of the rubber lamp holder (A) & (B) should be positioned to the center of the slit of the Lamp.

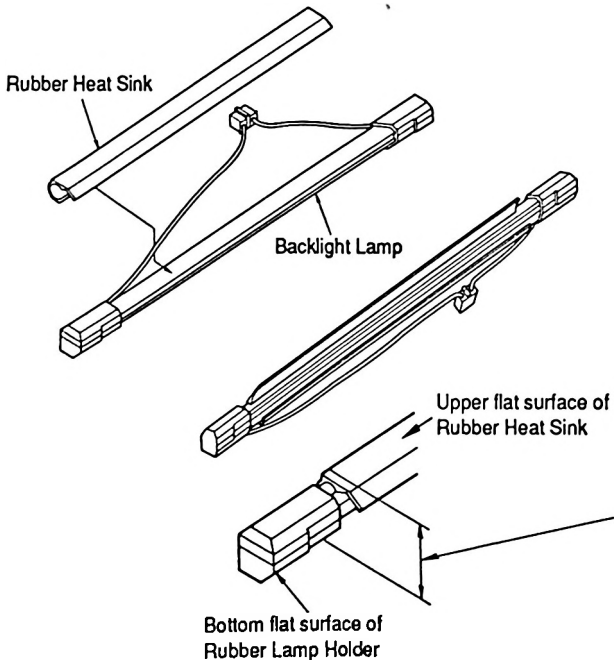


Figure 26

- (3) Attach the rubber heat sink to the backlight lamp assembly as shown in Figure 26.

Note: The rubber heat sink should be installed so that its upper flat surface will be set to the bottom surface of the rubber lamp holder in parallel as shown in Figure 26.

N/A\*: Not Available

## LCD Unit Assembly

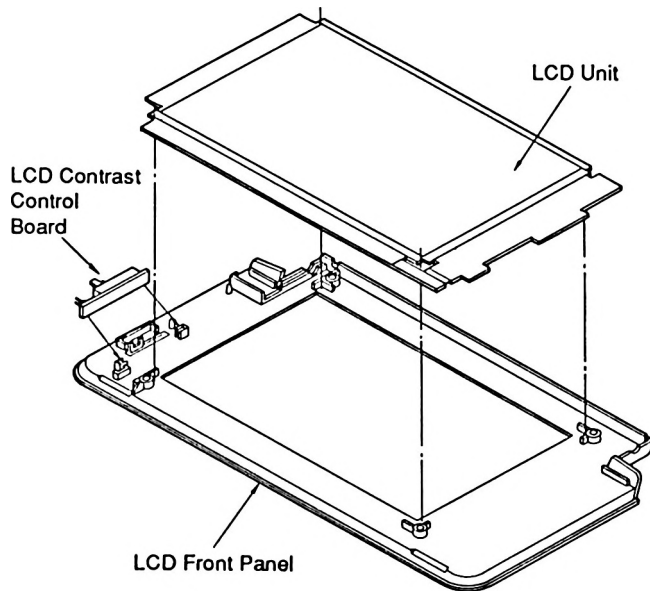
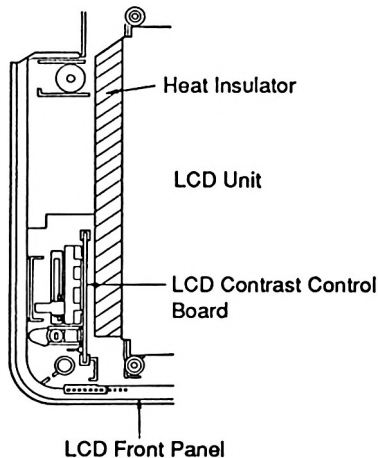


Figure 27

- (1) Install the LCD unit and LCD contrast control board on the LCD front panel as shown in Figure 27.



- Note: Install the LCD contrast control board on the LCD front panel as shown in Figure 27.

## Backlight Lamp Ass'y and Inverter Board

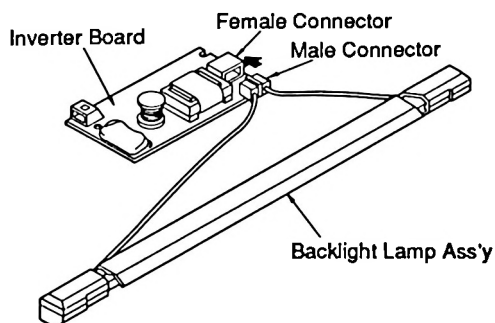
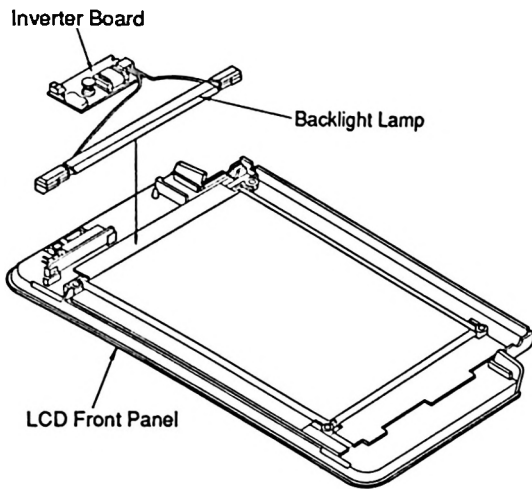


Figure 28

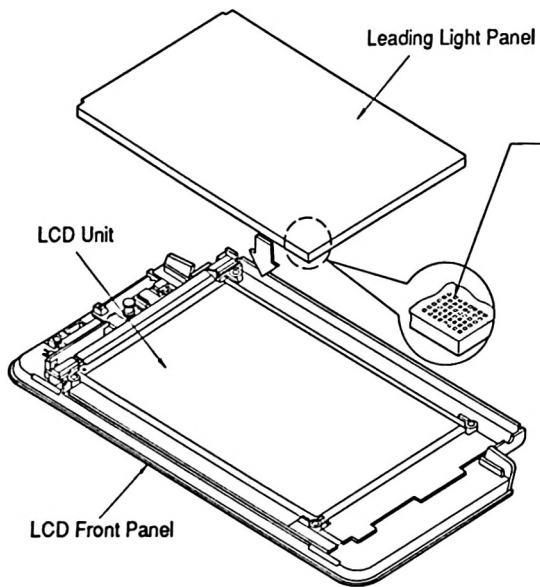
- (1) Connect the male connector of the backlight lamp to the female connector of the inverter board as shown in Figure 28.



(2) Install the backlight lamp assembly and inverter board to the LCD front panel as shown in Figure 29.

Figure 29

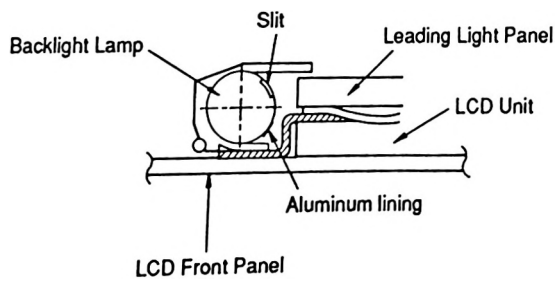
**Leading Light Panel**



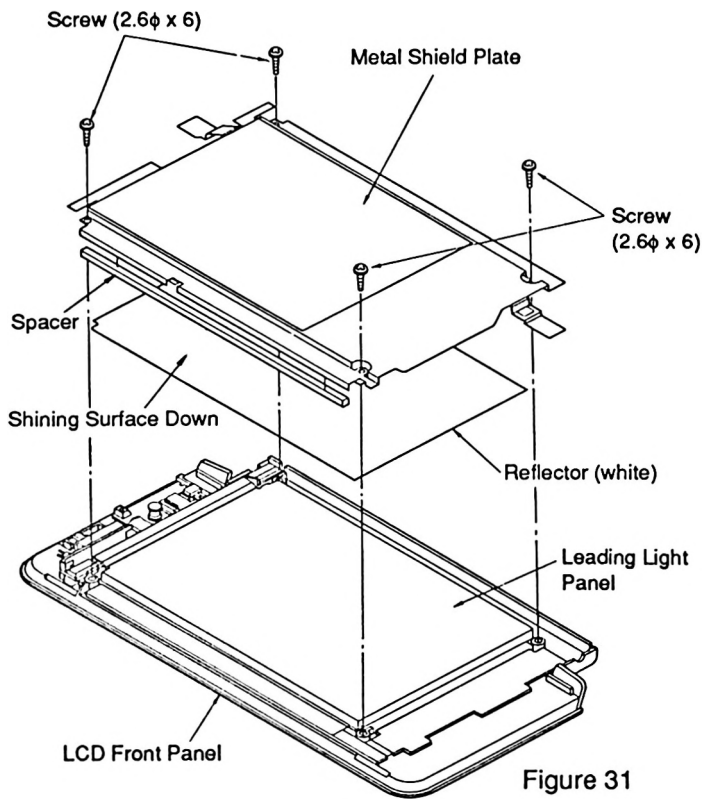
(1) Install the leading light panel to the LCD front panel as shown in Figure 30.

Note: Printed surface of the leading light panel should face upward.

Figure 30



## Reflector and Metal Shield Plate

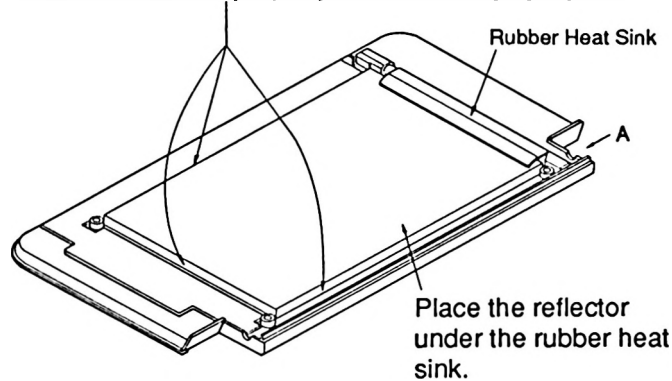


(1) Install the reflector (white), spacer and metal shield plate to the LCD front panel as shown in Figure 31.

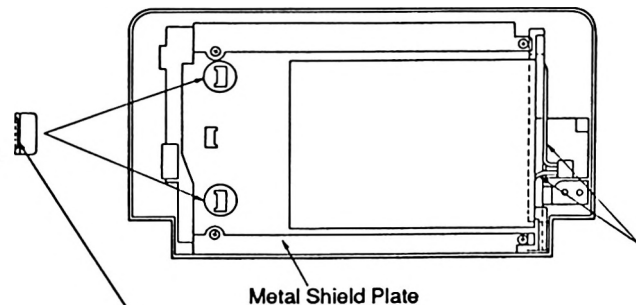
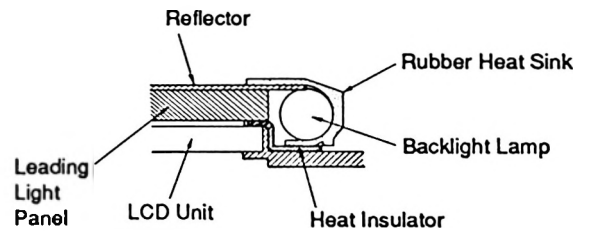
(2) Fix the metal shield plate with four screws as shown in Figure 31.

Note: Be sure that the shining surface should face down.

Place the reflector properly on the leading light panel as shown below.



### Cross Section A



Be sure not to run the lead wire under the backlight lamp.

Note: The edge of the reflector should be contacted to the bending portion of the metal shield plate as illustrated.

# LCD Cabinet

(1) Assemble the LCD cabinet and the LCD unit assembly as shown in Figure 32.

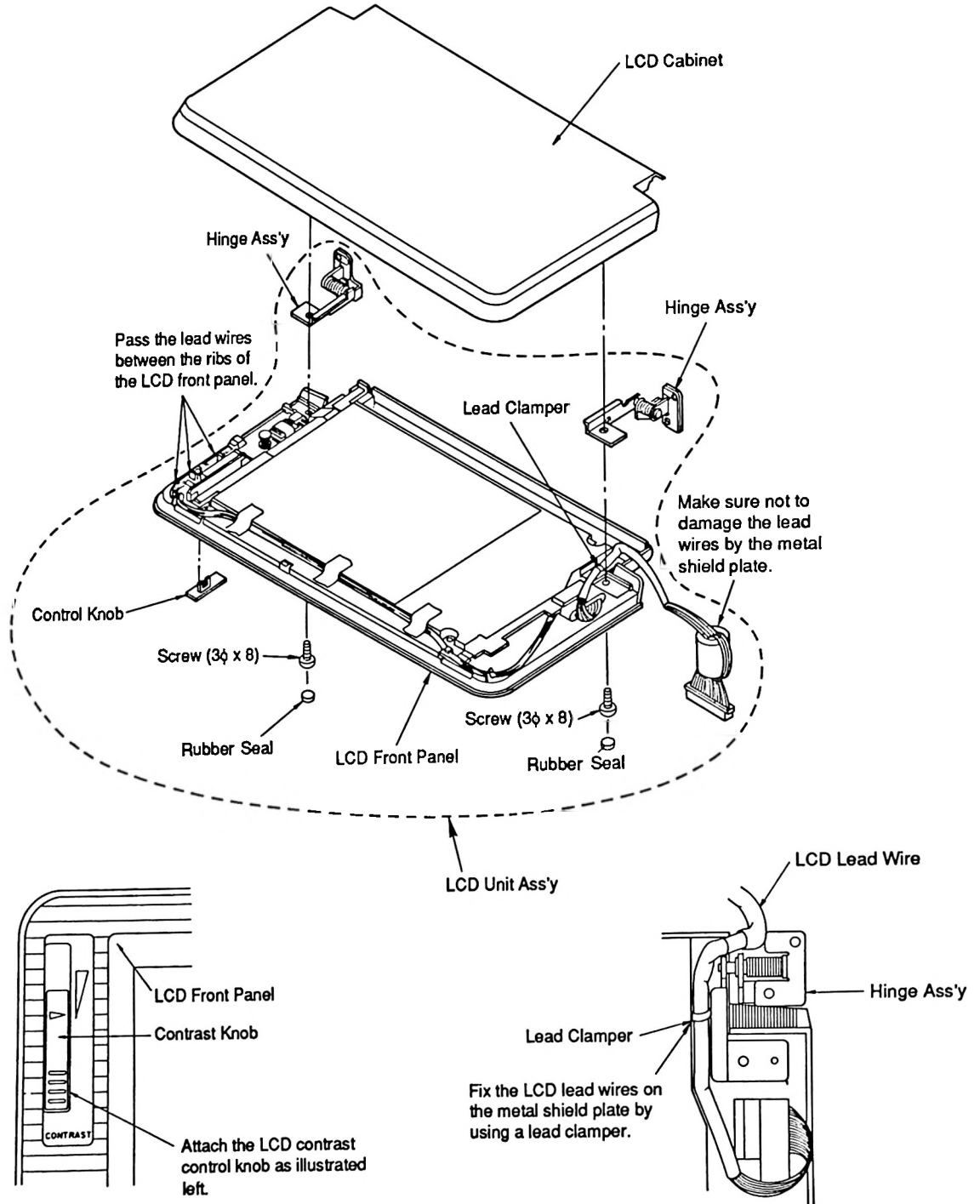
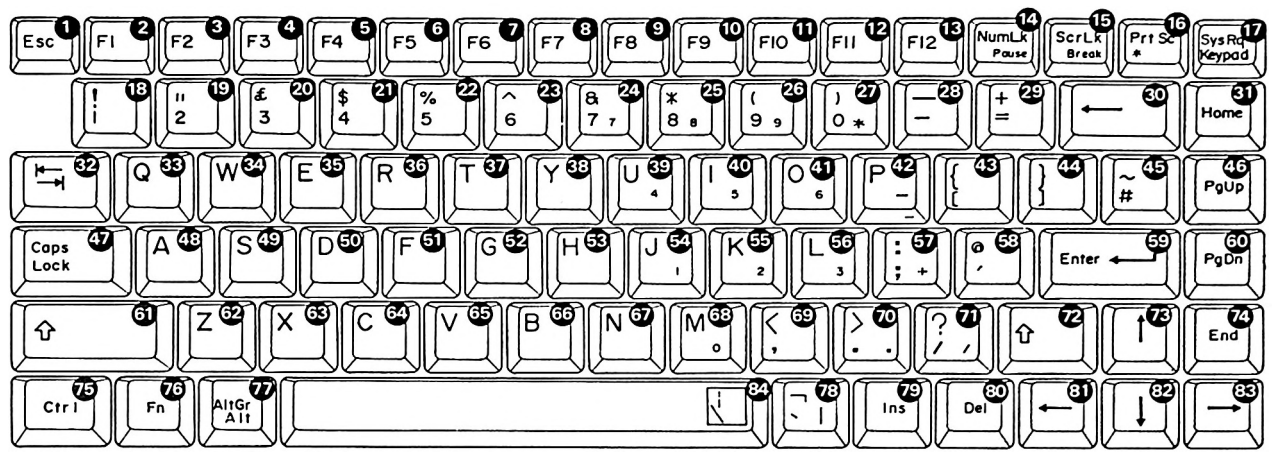


Figure 32

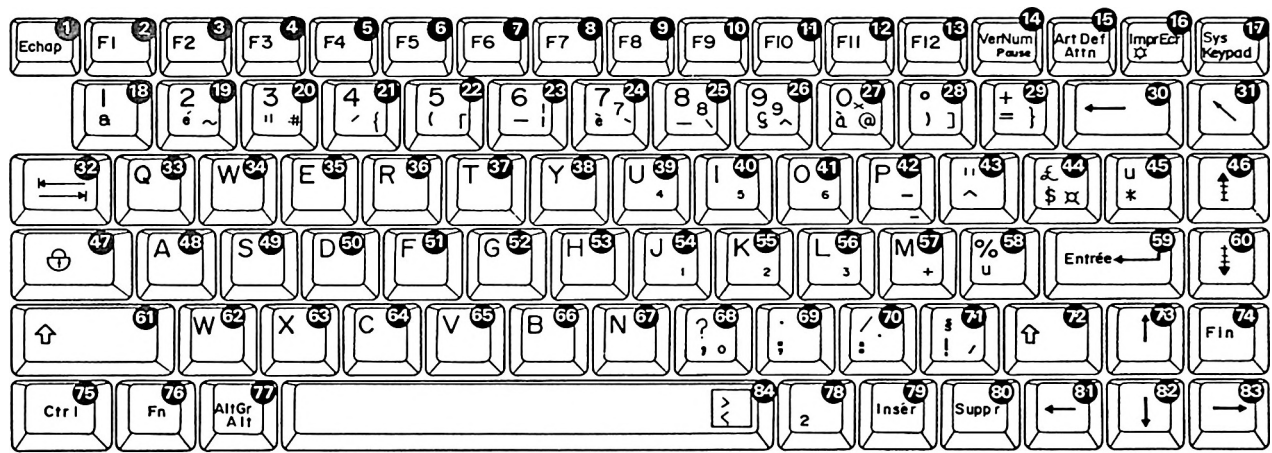


# PART IV. THEORY OF OPERATION

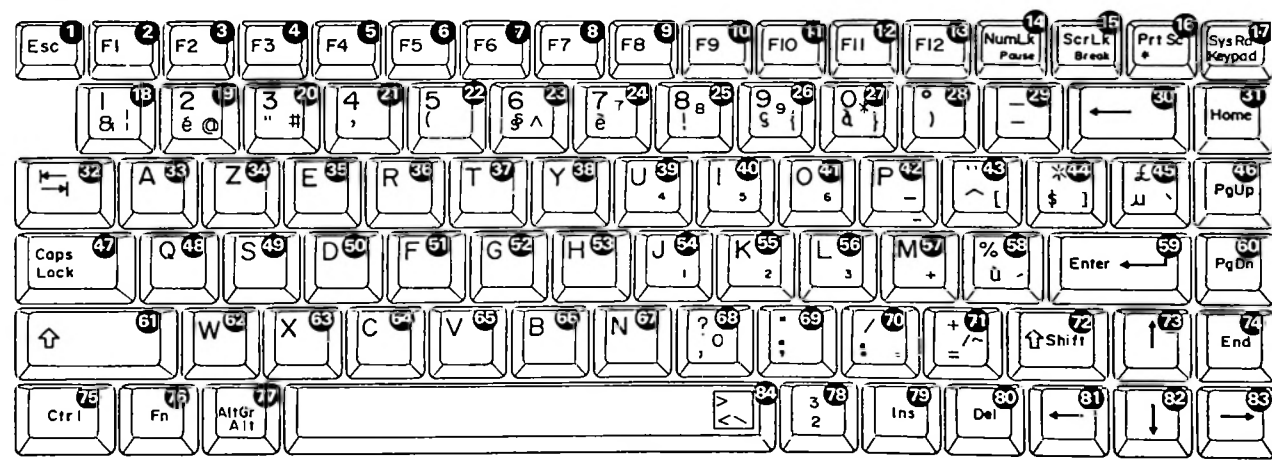
## Keyboard Layout (U.K. and Belgium-1 versions)

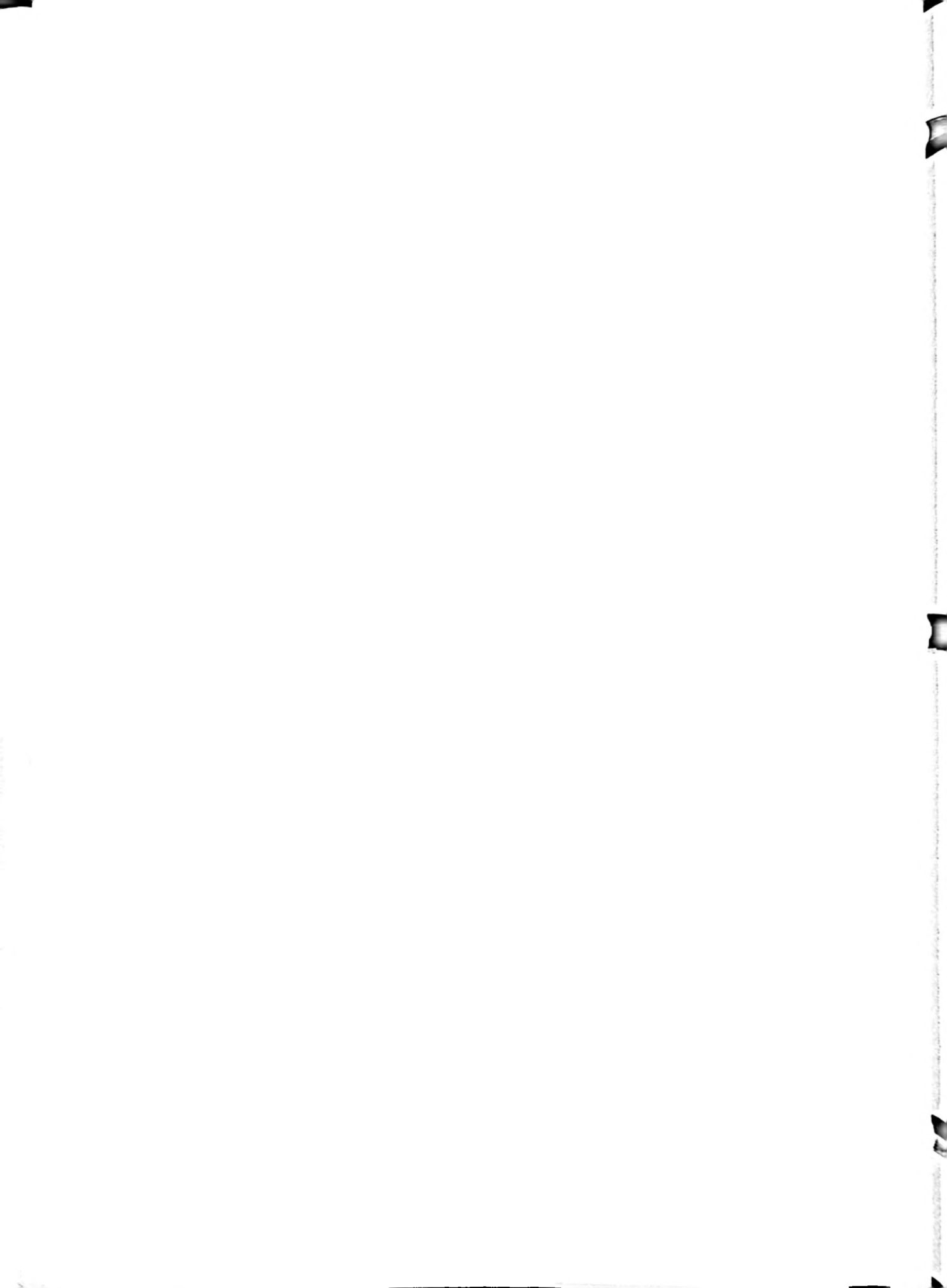


## Keyboard Layout (French version)



## Keyboard Layout (Belgium-2 version)





# Main PCB Assembly Parts List [Basic Manual Pages 6-4 to 6-20] (Canadian, Australian and European versions)

REF. NO	DESCRIPTION	QTY	RS PART NO.	MFR'S PART NO.	
E1	Ass'y, PCB, Main, U.K./FRANCE/BELGIUM 1/BELGIUM 2	1		DFWV48C165ZA	
E1	Ass'y, PCB, Main, CANADA/AUSTRALIA	1		DFWV48C164ZA	
BATTERY					
VB601	BATTERY, Lithium, 3Vdc, 1000mAh	1		CR2477-1GVF	
BUZZER					
BZ101	BUZZER, PIEZO, 75dB min	1		DFAFPKM174EP	
CAPACITOR					
C 1	CAPACITOR, ELECTROLYTIC	1000uF +/-20%	10V	1	ECEA1AU102
C 2	CAPACITOR, ELECTROLYTIC	1000uF +/-20%	10V	1	ECEA1AU102
C 3	CAPACITOR, ELECTROLYTIC	10uF +/-20%	16V	1	ECEA1CU100
C 4	CAPACITOR, ELECTROLYTIC	10uF +/-20%	16V	1	ECEA1CU100
C 5	CAPACITOR, ELECTROLYTIC	4.7uF +/-20%	50V	1	ECEA1HU4R7
C 6	CAPACITOR, ELECTROLYTIC	4.7uF +/-20%	50V	1	ECEA1HU4R7
C 7	CAPACITOR, ELECTROLYTIC	4.7uF +/-20%	50V	1	ECEA1HU4R7
C 8	CAPACITOR, ELECTROLYTIC	47uF +/-20%	10V	1	ECEA1AU470
C 9	CAPACITOR, ELECTROLYTIC	10uF +/-20%	16V	1	ECEA1CU100
C 10	CAPACITOR, ELECTROLYTIC	470uF +/-20%	16V	1	ECEA1CU471
C 11	CAPACITOR, ELECTROLYTIC	470uF +/-20%	16V	1	ECEA1CU471
C 12	CAPACITOR, ELECTROLYTIC	100uF +/-20%	25V	1	ECEA1EU101
C 13	NOT used				
C 14	CAPACITOR, ELECTROLYTIC	10uF +/-20%	16V	1	ECEA1CU100
C 15	CAPACITOR, ELECTROLYTIC	47uF +/-20%	16V	1	ECEA1CU470
C 16	CAPACITOR, ELECTROLYTIC	1000uF +/-20%	10V	1	ECEA1AU102
C 17	CAPACITOR, ELECTROLYTIC	1000uF +/-20%	10V	1	ECEA1AU102
C 18	CAPACITOR, CERAMIC, Chip	0.1uF +80/-20%	25V	1	ECUX1E104ZFG
C 19	CAPACITOR, CERAMIC, Chip	0.1uF +80/-20%	25V	1	ECUX1E104ZFG
C 20	CAPACITOR, CERAMIC, Chip	0.1uF +80/-20%	25V	1	ECUX1E104ZFG
C 21	CAPACITOR, CERAMIC, Chip	0.1uF +80/-20%	25V	1	ECUX1E104ZFG
C 22	CAPACITOR, CERAMIC, Chip	0.1uF +80/-20%	25V	1	ECUX1E104ZFG
C 23	CAPACITOR, CERAMIC, Chip	0.01uF +80/-20%	50V	1	ECUX1H103ZFG
C 24	CAPACITOR, CERAMIC, Chip	2200PF +/-10%	50V	1	ECUX1H222KBN
C 25	CAPACITOR, CERAMIC, Chip	0.01uF +80/-20%	50V	1	ECUX1H103ZFG
C 26	CAPACITOR, CERAMIC, Chip	0.1uF +80/-20%	25V	1	ECUX1E104ZFG
C 27	CAPACITOR, CERAMIC, Chip	470PF +/-5%	50V	1	ECUX1H471JCG
C 28-29	NOT used				
C 30	CAPACITOR, ELECTROLYTIC	1uF +/-20%	50V	1	ECEA1HU010
C 31	CAPACITOR, ELECTROLYTIC	1uF +/-20%	50V	1	ECEA1HU010
C 32	CAPACITOR, CERAMIC, Chip	1500PF +/-10%	50V	1	ECUX1H152KBN
C 33	CAPACITOR, ELECTROLYTIC	1uF +/-20%	50V	1	ECEA1HU010
C 34-100	NOT used				
C101	CAPACITOR, ELECTROLYTIC	47uF +/-20%	6.3V	1	ECEA0JKA470
C102-104	NOT used				
C105	CAPACITOR, CERAMIC, Chip	0.1uF +80/-20%	25V	1	ECUX1E104ZFG
C106	CAPACITOR, CERAMIC, Chip	0.1uF +80/-20%	25V	1	ECUX1E104ZFG
C107	CAPACITOR, CERAMIC, Chip	0.1uF +80/-20%	25V	1	ECUX1E104ZFG
C108	CAPACITOR, CERAMIC, Chip	0.1uF +80/-20%	25V	1	ECUX1E104ZFG
C109	CAPACITOR, CERAMIC, Chip	0.1uF +80/-20%	25V	1	ECUX1E104ZFG
C110	CAPACITOR, CERAMIC, Chip	0.1uF +80/-20%	25V	1	ECUX1E104ZFG
C111	CAPACITOR, CERAMIC, Chip	0.1uF +80/-20%	25V	1	ECUX1E104ZFG
C112	CAPACITOR, CERAMIC, Chip	0.1uF +80/-20%	25V	1	ECUX1E104ZFG
C113	CAPACITOR, CERAMIC, Chip	0.1uF +80/-20%	25V	1	ECUX1E104ZFG
C114	CAPACITOR, CERAMIC, Chip	0.1uF +80/-20%	25V	1	ECUX1E104ZFG
C115	CAPACITOR, CERAMIC, Chip	0.1uF +80/-20%	25V	1	ECUX1E104ZFG
C116	CAPACITOR, CERAMIC, Chip	0.1uF +80/-20%	25V	1	ECUX1E104ZFG
C117	CAPACITOR, CERAMIC, Chip	0.1uF +80/-20%	25V	1	ECUX1E104ZFG
C118	CAPACITOR, CERAMIC, Chip	0.1uF +80/-20%	25V	1	ECUX1E104ZFG
C119	CAPACITOR, CERAMIC, Chip	0.1uF +80/-20%	25V	1	ECUX1E104ZFG
C120	NOT used				
C121	CAPACITOR, CERAMIC, Chip	0.01uF +80/-20%	50V	1	ECUX1H103ZFG
C122	CAPACITOR, CERAMIC, Chip	0.01uF +80/-20%	50V	1	ECUX1H103ZFG
C123	CAPACITOR, CERAMIC, Chip	0.01uF +80/-20%	50V	1	ECUX1H103ZFG
C124	CAPACITOR, CERAMIC, Chip	100PF +/-5%	50V	1	ECUX1H101JCG
C125	CAPACITOR, CERAMIC, Chip	100PF +/-5%	50V	1	ECUX1H101JCG
C126	CAPACITOR, CERAMIC, Chip	100PF +/-5%	50V	1	ECUX1H101JCG
C127	CAPACITOR, CERAMIC, Chip	100PF +/-5%	50V	1	ECUX1H101JCG

REF. NO	DESCRIPTION	QTY	RS PART NO.	MFR'S PART NO.	
C128	CAPACITOR, CERAMIC, Chip	33PF +/-5%	50V	1	ECUX1H330JCN
C129	CAPACITOR, CERAMIC, Chip	33PF +/-5%	50V	1	ECUX1H330JCN
C130	CAPACITOR, CERAMIC, Chip	22PF +/-5%	50V	1	ECUX1H220JCN
C131	CAPACITOR, CERAMIC, Chip	22PF +/-5%	50V	1	ECUX1H220JCN
C132	CAPACITOR, CERAMIC, Chip	15PF +/-5%	50V	1	ECUX1H150JCN
C133	CAPACITOR, CERAMIC, Chip	15PF +/-5%	50V	1	ECUX1H150JCN
C134	NOT used				
C135	CAPACITOR, ELECTROLYTIC	100uF +/-20%	16V	1	ECEA1CKA100
C136	CAPACITOR, CERAMIC, Chip	0.1uF +80/-20%	25V	1	ECUX1E104ZFG
C137	CAPACITOR, CERAMIC, Chip	0.1uF +80/-20%	25V	1	ECUX1E104ZFG
C138-200	NOT used				
C201	CAPACITOR, ELECTROLYTIC	220uF +/-20%	6.3V	1	ECEA0JKA221
C202	CAPACITOR, CERAMIC, Chip	0.1uF +80/-20%	25V	1	ECUX1E104ZFG
C203	CAPACITOR, CERAMIC, Chip	0.1uF +80/-20%	25V	1	ECUX1E104ZFG
C204	CAPACITOR, CERAMIC, Chip	0.1uF +80/-20%	25V	1	ECUX1E104ZFG
C205	CAPACITOR, ELECTROLYTIC	220uF +/-20%	6.3V	1	ECEA0JKA221
C206	CAPACITOR, CERAMIC, Chip	0.1uF +80/-20%	25V	1	ECUX1E104ZFG
C207-210	NOT used				
C211	CAPACITOR, CERAMIC, Chip	0.1uF +80/-20%	25V	1	ECUX1E104ZFG
C212-301	NOT used				
C302	CAPACITOR, CERAMIC, Chip	0.1uF +80/-20%	25V	1	ECUX1E104ZFG
C303	CAPACITOR, CERAMIC, Chip	0.1uF +80/-20%	25V	1	ECUX1E104ZFG
C304	CAPACITOR, CERAMIC, Chip	0.1uF +80/-20%	25V	1	ECUX1E104ZFG
C305	CAPACITOR, CERAMIC, Chip	0.1uF +80/-20%	25V	1	ECUX1E104ZFG
C306	CAPACITOR, CERAMIC, Chip	0.1uF +80/-20%	25V	1	ECUX1E104ZFG
C307	CAPACITOR, CERAMIC, Chip	0.1uF +80/-20%	25V	1	ECUX1E104ZFG
C308	CAPACITOR, CERAMIC, Chip	0.1uF +80/-20%	25V	1	ECUX1E104ZFG
C309	CAPACITOR, CERAMIC, Chip	0.1uF +80/-20%	25V	1	ECUX1E104ZFG
C310	CAPACITOR, CERAMIC, Chip	0.1uF +80/-20%	25V	1	ECUX1E104ZFG
C311	CAPACITOR, CERAMIC, Chip	22PF +/-5%	50V	1	ECUX1H220JCN
C312	CAPACITOR, CERAMIC, Chip	22PF +/-5%	50V	1	ECUX1H220JCN
C313-400	NOT used				
C401	CAPACITOR, ELECTROLYTIC	100uF +/-20%	6.3V	1	ECEA0JKA101
C402	CAPACITOR, CERAMIC, Chip	0.1uF +80/-20%	25V	1	ECUX1E104ZFG
C403	CAPACITOR, ELECTROLYTIC	10uF +/-20%	16V	1	ECEA1CKA100
C404	CAPACITOR, CERAMIC, Chip	0.1uF +80/-20%	25V	1	ECUX1E104ZFG
C405	CAPACITOR, ELECTROLYTIC	220uF +/-20%	6.3V	1	ECEA0JKA221
C406	CAPACITOR, CERAMIC, Chip	0.1uF +80/-20%	25V	1	ECUX1E104ZFG
C407	CAPACITOR, CERAMIC, Chip	0.1uF +80/-20%	25V	1	ECUX1E104ZFG
C408	CAPACITOR, CERAMIC, Chip	0.1uF +80/-20%	25V	1	ECUX1E104ZFG
C409	CAPACITOR, CERAMIC, Chip	0.1uF +80/-20%	25V	1	ECUX1E104ZFG
C410-500	NOT used				
C501	CAPACITOR, CERAMIC, Chip	0.1uF +80/-20%	25V	1	ECUX1E104ZFG
C502-504	NOT used				
C505	CAPACITOR, CERAMIC, Chip	0.1uF +80/-20%	25V	1	ECUX1E104ZFG
C506-600	NOT used				
C601	CAPACITOR, CERAMIC, Chip	100PF +/-5%	50V	1	ECUX1H101JCG
C602-700	NOT used				
C701	CAPACITOR, CERAMIC, Chip	0.1uF +80/-20%	25V	1	ECUX1E104ZFG
C702	CAPACITOR, CERAMIC, Chip	0.1uF +80/-20%	25V	1	ECUX1E104ZFG
C703	CAPACITOR, CERAMIC, Chip	0.1uF +80/-20%	25V	1	ECUX1E104ZFG
C704	CAPACITOR, CERAMIC, Chip	0.1uF +80/-20%	25V	1	ECUX1E104ZFG
C705	CAPACITOR, CERAMIC, Chip	0.1uF +80/-20%	25V	1	ECUX1E104ZFG
C706	CAPACITOR, CERAMIC, Chip	0.01uF +80/-20%	50V	1	ECUX1H103ZFG
C707	CAPACITOR, CERAMIC, Chip	1000PF +80/-20%	50V	1	ECUX1H102ZFN
C708	CAPACITOR, CERAMIC, Chip	1000PF +80/-20%	50V	1	ECUX1H102ZFN
C709	CAPACITOR, CERAMIC, Chip	1000PF +80/-20%	50V	1	ECUX1H102ZFN
C710	CAPACITOR, CERAMIC, Chip	1000PF +80/-20%	50V	1	ECUX1H102ZFN
C711	CAPACITOR, CERAMIC, Chip	1000PF +80/-20%	50V	1	ECUX1H102ZFN
C712	CAPACITOR, CERAMIC, Chip	1000PF +80/-20%	50V	1	ECUX1H102ZFN
C713	CAPACITOR, CERAMIC, Chip	1000PF +80/-20%	50V	1	ECUX1H102ZFN
C714	CAPACITOR, CERAMIC, Chip	1000PF +80/-20%	50V	1	ECUX1H102ZFN
C715	CAPACITOR, CERAMIC, Chip	1000PF +80/-20%	50V	1	ECUX1H102ZFN
C716	CAPACITOR, CERAMIC, Chip	1000PF +80/-20%	50V	1	ECUX1H102ZFN
C717	CAPACITOR, CERAMIC, Chip	1000PF +80/-20%	50V	1	ECUX1H102ZFN

REF. NO	DESCRIPTION	QTY	RS PART NO.	MFR'S PART NO.
C718	CAPACITOR, CERAMIC, Chip	1000PF +80/-20% 50V	1	ECUX1H102ZF8
CAPACITOR TRIMMER				
TC1-600	NOT used			
TC601	CAPACITOR, TRIMMER, Chip	20PF +50%,-0%DC100V	1	ECRJA020E12W
COIL INDUCTOR				
L 1	COIL, INDUCTOR	100ohm(10-300MHz), 3A	1	DDB6Z057
L 2	COIL, INDUCTOR	100ohm(10-300MHz), 3A	1	DDB6Z057
L 3	COIL, INDUCTOR	33uH, 2.9A	1	DDAWZ330KVZ1
L 4	COIL, INDUCTOR	30ohm(10-300MHz), 3A	1	DDB6Z003T
L 5	COIL, INDUCTOR	220uH, 0.64A	1	DDA895Z221K
L 6	COIL, INDUCTOR	1.1uH, 1MHz, 6A	1	DDB1Z084T
L 7	COIL, INDUCTOR	33uH, 2.9A	1	DDAWZ330KVZ1
L 8	COIL, INDUCTOR	1.1uH, 1MHz, 6A	1	DDB1Z084T
L 9	COIL, INDUCTOR	150uH, 1.4A	1	DDAWZ151Z1
L 10	COIL, INDUCTOR	0.6mH, 3A	1	DDB8Z008
L 11	COIL, INDUCTOR	100ohm(10-300MHz), 3A	1	DDB6Z057
L 12-300	NOT used			
L301	COIL, INDUCTOR	3-TURN, 0.8A	1	DDB1Z029
L302	COIL, INDUCTOR	60uH, 500mA	1	DDB7Z003T
L303	COIL, INDUCTOR	60uH, 500mA	1	DDB7Z003T
L304	COIL, INDUCTOR	60uH, 500mA	1	DDB7Z003T
L305	COIL, INDUCTOR	60uH, 500mA	1	DDB7Z003T
L306	COIL, INDUCTOR	60uH, 500mA	1	DDB7Z003T
L307	COIL, INDUCTOR	60uH, 500mA	1	DDB7Z003T
L308-311	NOT used			
L312	COIL, INDUCTOR	60uH, 500mA	1	DDB7Z003T
L313-404	NOT used			
L405	COIL, INDUCTOR	100uH, 90mA	1	ELEPL101KA
CONNECTOR				
CN 1	CONNECTOR, FEMALE, RECHARGEABLE BATTERY, 2-PIN		1	DFJP02C32Z
CN 2	CONNECTOR, BOARD-IN, 2-PIN		1	DFJS02C30Z
CN 3	CONNECTOR, DC IN JACK		1	RJJ97Y
CN 4	CONNECTOR, BOARD-IN, 2-PIN		1	DFJS02C30Z
CN 5	CONNECTOR, MALE, TEST, 8-PIN		1	DFJP08C13Z
CN 6-100	NOT used			
CN101	CONNECTOR, FEMALE, LED, BOARD, 2-PIN		1	RJP2G4Y
CN102	CONNECTOR, BOARD-IN, 2-PIN		1	DFJS02C30Z
CN103-300	NOT used			
CN301	CONNECTOR, MALE, LCD, 16-PIN		1	DFJP16C54Z
CN302-400	NOT used			
CN401	CONNECTOR, FEMALE, FDD, 24-PIN		1	DFJS24N13Z
CN402	CONNECTOR, FEMALE, PARALLEL, 25-PIN		1	DFJS25E05Z
CN403-500	NOT used			
CN501	CONNECTOR, MALE, RS-232C, 9-PIN		1	DFJP09E14Z
CN502-700	NOT used			
CN701	CONNECTOR, FEMALE, KEYBOARD, 8-PIN		1	DFJS08N19Z
CN702	CONNECTOR, FEMALE, CONNECTOR, 14-PIN		1	DFJS14N19Z
CN703-800	NOT used			
CN801	CONNECTOR, FEMALE, MODEM, 18-PIN		1	DFJS18N13Z
CN802-900	NOT used			
CN901	CONNECTOR, FEMALE, EMS BOARD, 50-PIN		1	DFJP50D10Z
DIODE				
D 1	DIODE, SCHOTTKY BARRIER, HIGH SPEED, POWER SWITCHING, ERC81		1	DEDRC81004L9
D 2	DIODE, SCHOTTKY BARRIER, HIGH SPEED, POWER SWITCHING, ERC81		1	DEDRC81004L9
D 3	DIODE, ZENER, 5.1V, SI PLANAR, STABILIZED POWER SUPPLY, Chip, MA3051M		1	MA3051MTW OR MA3051HTW
D 4	DIODE, ZENER, 8.2V, SI PLANAR, Chip, MA3082A		1	MA3082MTW OR MA3082HTW
D 5	DIODE, SWITCHING, SI EPITAXIAL PLANAR, Chip, MA151A		1	MA151ATW
D 6	DIODE, SCHOTTKY BARRIER, HIGH FREQUENCY RECTIFIER, Chip, MA701A		1	MA701TW OR MA701ATW
D 7	DIODE, SCHOTTKY BARRIER, HIGH FREQUENCY RECTIFIER, Chip, MA701A		1	MA701TW OR MA701ATW
D 8	DIODE, SCHOTTKY BARRIER, HIGH FREQUENCY RECTIFIER, Chip, MA701A		1	MA701TW OR MA701ATW
D 9	DIODE, SCHOTTKY BARRIER, HIGH FREQUENCY RECTIFIER, Chip, MA701A		1	MA701TW OR MA701ATW
D 10	DIODE, SCHOTTKY BARRIER, HIGH FREQUENCY RECTIFIER, Chip, MA701A		1	MA701TW OR MA701ATW
D 11	DIODE, SWITCHING, SI EPITAXIAL PLANAR, Chip, MA151A		1	MA151ATW
D 12	NOT used			
D 13	DIODE, SCHOTTKY BARRIER, HIGH FREQUENCY RECTIFIER, Chip, MA701A		1	MA701TW OR MA701ATW

REF. NO	DESCRIPTION	QTY	RS PART NO.	MFR'S PART NO.
D 14	DIODE, ZENER, CHIP, MA3033M	1		MA3033HTW
D 15	DIODE, ZENER, CHIP, MA3062M	1		MA3062MTW OR MA3062HTW
D 16-17	NOT used			
D 18	DIODE, ZENER, CHIP, MA3240	1		MA3240HTW OR MA3240HTW
D 19	STABILIZED POWER SUPPLY, SI PLANER, CHIP, MA1075M	1		MA1075MTW
D 20	DIODE, SWITCHING, SI EPITAXIAL PLANAR, Chip, MA151A	1		MA151ATW
D 21-100	NOT used			
D101	DIODE, SWITCHING, SI EPITAXIAL PLANAR, Chip, MA151A	1		MA151ATW
D102	DIODE, SWITCHING, SI EPITAXIAL PLANAR, Chip, MA151A	1		MA151ATW
D103	DIODE, SWITCHING, SI EPITAXIAL PLANAR, Chip, MA151A	1		MA151ATW
D104-600	NOT used			
D601	DIODE, SWITCHING, SI EPITAXIAL PLANAR, Chip, MA151A	1		MA151ATW
FILTER				
LC1-301	NOT used			
LC302	FILTER, 20-TURN, 60uH, 2-PIN	1		DDB7Z003T
LC303	FILTER, 20-TURN, 60uH, 2-PIN	1		DDB7Z003T
LC304	FILTER, 20-TURN, 60uH, 2-PIN	1		DDB7Z003T
LC305	FILTER, 20-TURN, 60uH, 2-PIN	1		DDB7Z003T
LC306	FILTER, 20-TURN, 60uH, 2-PIN	1		DDB7Z003T
LC307	FILTER, 20-TURN, 60uH, 2-PIN	1		DDB7Z003T
LC308-311	NOT used			
LC312	FILTER, 20-TURN, 60uH, 2-PIN	1		DDB7Z003T
LC313	FILTER, EMI, 22000PF, 3-PIN	1		DEA306F223TL
LC314	FILTER, EMI, 22000PF, 3-PIN	1		DEA306F223TL
LC315	FILTER, EMI, 22000PF, 3-PIN	1		DEA306F223TL
LC316	FILTER, EMI, 22000PF, 3-PIN	1		DEA306F223TL
LC317	FILTER, EMI, 22000PF, 3-PIN	1		DEA306F223TL
LC318	NOT used			
LC319	FILTER, EMI, 22000PF, 3-PIN	1		DEA306F223TL
LC320-400	NOT used			
LC401	FILTER, EMI, 2200PF, 3-PIN	1		DEA306F222TL
LC402	FILTER, EMI, 2200PF, 3-PIN	1		DEA306F222TL
LC403	FILTER, EMI, 2200PF, 3-PIN	1		DEA306F222TL
LC404	FILTER, EMI, 2200PF, 3-PIN	1		DEA306F222TL
LC405	FILTER, EMI, 2200PF, 3-PIN	1		DEA306F222TL
LC406	FILTER, EMI, 2200PF, 3-PIN	1		DEA306F222TL
LC407	FILTER, EMI, 2200PF, 3-PIN	1		DEA306F222TL
LC408	FILTER, EMI, 2200PF, 3-PIN	1		DEA306F222TL
LC409	FILTER, EMI, 2200PF, 3-PIN	1		DEA306F222TL
LC410	FILTER, EMI, 2200PF, 3-PIN	1		DEA306F222TL
LC411	FILTER, EMI, 2200PF, 3-PIN	1		DEA306F222TL
LC412	FILTER, EMI, 2200PF, 3-PIN	1		DEA306F222TL
LC413	FILTER, EMI, 2200PF, 3-PIN	1		DEA306F222TL
LC414	FILTER, EMI, 2200PF, 3-PIN	1		DEA306F222TL
LC415	FILTER, EMI, 2200PF, 3-PIN	1		DEA306F222TL
LC416	FILTER, EMI, 2200PF, 3-PIN	1		DEA306F222TL
LC417	FILTER, EMI, 2200PF, 3-PIN	1		DEA306F222TL
LC418	FILTER, EMI, 2200PF, 3-PIN	1		DEA306F222TL
LC419	FILTER, EMI, 2200PF, 3-PIN	1		DEA306F222TL
FUSE				
IP1	FUSE, FAST BLOW, 1.6A, 125V, 7.5mm(L)x2.6mm(H), WITH PIGTAIL	1		XBADPR1R6005
F2	FUSE, FAST BLOW, 1.6A, 125V, 7.5mm(L)x2.6mm(H), WITH PIGTAIL	1		XBAD0800VFS
F3	FUSE, FAST BLOW, 1.6A, 125V, 7.5mm(L)x2.6mm(H), WITH PIGTAIL	1		XBAD2500VFS
IC and Gate Array				
IC 1	IC, M5327L, REGULATOR, 3-TERMINAL	1		DAM5237LTAM
IC 2	IC, LM393ML, COMPARATOR, DUAL, 8-PIN	1		DALM393ML OR DABA10393FTE
IC 3	IC, LM393ML, COMPARATOR, DUAL, 8-PIN	1		DALM393ML OR DABA10393FTE
IC 4	IC, AN8002, REGULATOR, 3-TERMINAL FOR +12V	1		AN8002
IC 5	IC, MB3775, CONVERTER, DC-DC, 16-PIN	1		DA3775PF-GTJ
IC 6	NOT used			
IC 7	IC, MC79L12ACPR, REGULATOR, 3-TERMINALS FOR-12V	1		DA79L12ACPRQ
IC 8	NOT used			
IC 9	IC, 34063HAU, CONVERTER, DC-DC, 8-PIN	1		DAMC34063MLQ
IC 10	IC, 5247, RESET, 8-PIN	1		DAM5247FPT
IC101	IC, D70108GC-8, CPU, CMOS, V20, 8MHz	1		DA70108G-8D

REF. NO	DESCRIPTION	Y TY	RS PART NO.	MFR'S PART NO.
IC102	IC, MN12862, MULTIPLE PERIPHERAL, C-MOS, 100-PIN	1		MN12862
IC103	IC, MN53030RFP, GATE ARRAY, C-MOS, 124-PIN	1		MN53030RFS
IC104	IC, MN53020RFQ, GATE ARRAY, C-MOS, 100-PIN	1		MN53020RFQ
IC105	IC, 74HC245A, C-MOS, HIGH SPEED, 20-PIN	1		MN74HC245S OR DA74HC245FTO
IC106	IC, 74HC245A, C-MOS, HIGH SPEED, 20-PIN	1		MN74HC245S OR DA74HC245FTO
IC107	IC, 74HC244A, C-MOS, HIGH SPEED, 20-PIN	1		MN74HC244S OR DA74HC244FTO
IC108	IC, 74HC244A, C-MOS, HIGH SPEED, 20-PIN	1		MN74HC244S OR DA74HC244FTO
IC109	NOT used			
IC110	IC, 74HCU04S, C-MOS, HIGH SPEED, 14-PIN	1		MN74HCU04AF0 OR DA74HCU04S
IC111	IC, 74HCU04S, C-MOS, HIGH SPEED, 14-PIN	1		MN74HCU04AF0 OR DA74HCU04S
IC112-200	NOT used			
IC201	IC, M5M44256AL10, DRAM, C-MOS, 1M bit	1		MN41C4256L08 OR DA44256AL10M
IC202	IC, M5M44256AL10, DRAM, C-MOS, 1M bit	1		MN41C4256L08 OR DA44256AL10M
IC203	IC, M5M44256AL10, DRAM, C-MOS, 1M bit	1		MN41C4256L08 OR DA44256AL10M
IC204	IC, M5M44256AL10, DRAM, C-MOS, 1M bit	1		MN41C4256L08 OR DA44256AL10M
IC205	IC, M5M4464AP, DRAM, C-MOS, 256k-bit	1		MN41464A-08 OR DAM4464AP10M
IC206	IC, M5M4464AP, DRAM, C-MOS, 256k-bit	1		MN41464A-08 OR DAM4464AP10M
IC207	IC, M5M4464AP, DRAM, C-MOS, 256k-bit	1		MN41464A-08 OR DAM4464AP10M
IC208	IC, M5M4464AP, DRAM, C-MOS, 256k-bit	1		MN41464A-08 OR DAM4464AP10M
IC209	IC, M5M27C256K-15, EPROM, C-MOS, 256k bit	1		DAITNA1
IC210	IC, MASK ROM C-MOS, 4M bit, 32-PIN	1		DAFT1C1
IC211	IC, AK93C46, EEPROM, C-MOS, 128K bit	1		DA93C46001XQ
IC212-300	NOT used			
IC301	IC, MN5502, LCDC, C-MOS, 124-PIN	1		MN5502
IC302	IC, RP2364E, MASK ROM, 64K bit, N-MOS	1		DAFT1B1
IC303	IC, M5M5165FP-10L, SRAM, 64Kbit, 28-PIN	1		DA8464-10LTJ OR DA5165F10LTM
IC304	IC, M5M5165FP-10L, SRAM, 64Kbit, 28-PIN	1		DA8464-10LTJ OR DA5165F10LTM
IC305	IC, 74HCU04S, C-MOS, HIGH SPEED, 14-PIN	1		MN74HCU04AF0 OR DA74HCU04S
IC306-400	NOT used			
IC401	IC, SPC2050FOA, FDC, C-MOS, 100-PIN	1		DA2050F0AWT
IC402-500	NOT used			
IC501	IC, MX16C452, UART/PARA, C-MOS, 68-PIN	1		DA16C452XV OR DA16C452XW
IC502	IC, DS14C88M, DRIVER, C-MOS, RS-232C	1		DA14C88MTEN
IC503	IC, DS14C89M, RECIEVER, C-MOS, RS-232C	1		DA14C89AMTEN
IC504	IC, DS14C89M, RECIEVER, C-MOS, RS-232C	1		DA14C89AMTEN
IC505-600	NOT used			
IC601	IC, RF5C15, RTC, 18-PIN	1		DARF5C15
IC602-700	NOT used			
IC701	IC, 49HG530, CONTROLLER, KEYBOARD	1		DA49HG-530
IC702	IC, HC125A, C-MOS, 14-PIN	1		MN74HC125S OR DA74HC125FTO
IC703	IC, HC09, C-MOS, 14-PIN	1		DA74HC09AFTO OR DASN74HC09ST
IC704	IC, LM339ML, COMPARATOR, 14-PIN	1		DALM339ML OR DALM339MT
IC705	IC, LM339ML, COMPARATOR, 14-PIN	1		DALM339ML OR DALM339MT
OSCILLATOR				
X1-100	NOT used			
X101	OSCILLATOR, CERAMICS, 16.00MHz	1		DEBM16R0N2LX OR DEBM16RON1WX
X102	OSCILLATOR, CRYSTAL, 14.30818MHz	1		DECX14318H2H
X103	OSCILLATOR, CRYSTAL, 1.843MHz	1		DEBM1R843N1L
X104-300	NOT used			
X301	OSCILLATOR, CERAMICS, 11.7MHz	1		DEBM11R7N1LX
X302-400	NOT used			
X401	OSCILLATOR, CRYSTAL, 24.00MHz	1		DECX24000H1H
X402-600	NOT used			
X601	OSCILLATOR, CRYSTAL, RTC, 32.768KHz	1		DECO00032H3W
POTENTIOMETER				
VR1	POTENTIOMETER, SEMI-FIX, 3.3K ohm, B-CURVE	1		DENAE1B332TL
VR2	POTENTIOMETER, SEMI-FIX, 10K ohm, B-CURVE	1		DENAE1B103TL
VR3	POTENTIOMETER, SEMI-FIX, 10K ohm, B-CURVE	1		DENAE1B103TL
VR4	POTENTIOMETER, SEMI-FIX, 10K ohm, B-CURVE	1		DENAE1B103TL
VR5	POTENTIOMETER, SEMI-FIX, 10K ohm, B-CURVE	1		DENAE1B103TL
RESISTOR				
R 1	RESISTOR, METAL OXIDE, CHIP, 1K ohm +/-5% 1/10W	1		ERJ6GMVJ102 OR DBJ6GMJ102
R 2	RESISTOR, METAL OXIDE, CHIP, 1.5K ohm +/-5% 1/10W	1		ERJ6GMVJ152 OR DBJ6GMJ152
R 3	RESISTOR, METAL OXIDE, CHIP, 220 ohm +/-5% 1/10W	1		ERJ6GMVJ221 OR DBJ6GMJ221
R 4	RESISTOR, METAL OXIDE, CHIP, 100 ohm +/-5% 1/10W	1		ERJ6GMVJ101 OR DBJ6GMJ101

REF. NO	DESCRIPTION	QTY	RS PART NO.	MFR'S PART NO.	
R 5	RESISTOR, METAL OXIDE, CHIP.	1K ohm +/-5%	1/10W	1	ERJ6GMJ102 OR DBJ6GMJ102
R 6	RESISTOR, METAL OXIDE, CHIP.	820 ohm +/-5%	1/10W	1	ERJ6GMJ821 OR DBJ6GMJ821
R 7	RESISTOR, METAL OXIDE, CHIP.	200 ohm +/-5%	1/10W	1	ERJ6GMJ201 OR DBJ6GMJ201
R 8	RESISTOR, METAL OXIDE, CHIP.	200 ohm +/-5%	1/10W	1	ERJ6GMJ201 OR DBJ6GMJ201
R 9	RESISTOR, METAL OXIDE, CHIP.	7.5K ohm +/-5%	1/10W	1	ERJ6GMJ752 OR DBJ6GMJ752
R 10	RESISTOR, METAL OXIDE, CHIP.	10K ohm +/-5%	1/10W	1	ERJ6GMJ103 OR DBJ6GMJ103
R 11	RESISTOR, METAL OXIDE, CHIP.	10K ohm +/-5%	1/10W	1	ERJ6GMJ103 OR DBJ6GMJ103
R 12	RESISTOR, METAL OXIDE, CHIP.	10K ohm +/-5%	1/10W	1	ERJ6GMJ103 OR DBJ6GMJ103
R 13	RESISTOR, METAL OXIDE, CHIP.	39K ohm +/-5%	1/10W	1	ERJ6GMJ393 OR DBJ6GMJ393
R 14	RESISTOR, METAL OXIDE, CHIP.	4.02K ohm +/-1%	1/10W	1	ERJ6ENF4021 OR DBJ6GF4021
R 15	RESISTOR, METAL OXIDE, CHIP.	10K ohm +/-5%	1/10W	1	ERJ6GMJ103 OR DBJ6GMJ103
R 16	RESISTOR, METAL OXIDE, CHIP.	4.03K ohm +/-1%	1/10W	1	ERJ6ENF4301 OR DBJ6GF4301
R 17	RESISTOR, METAL OXIDE, CHIP.	10K ohm +/-5%	1/10W	1	ERJ6GMJ103 OR DBJ6GMJ103
R 18	RESISTOR, METAL OXIDE, CHIP.	15K ohm +/-5%	1/10W	1	ERJ6GMJ153 OR DBJ6GMJ153
R 19	RESISTOR, METAL OXIDE, CHIP.	180K ohm +/-5%	1/10W	1	ERJ6GMJ184 OR DBJ6GMJ184
R 20	RESISTOR, METAL OXIDE, CHIP.	10K ohm +/-5%	1/10W	1	ERJ6GMJ103 OR DBJ6GMJ103
R 21	RESISTOR, METAL OXIDE, CHIP.	15K ohm +/-5%	1/10W	1	ERJ6GMJ153 OR DBJ6GMJ153
R 22	NOT used				
R 23	RESISTOR, METAL OXIDE, CHIP.	10K ohm +/-5%	1/10W	1	ERJ6GMJ103 OR DBJ6GMJ103
R 24	NOT used				
R 25	RESISTOR, METAL OXIDE, CHIP.	10K ohm +/-5%	1/10W	1	ERJ6GMJ103 OR DBJ6GMJ103
R26-27	NOT used				
R 28	RESISTOR, METAL OXIDE, CHIP.	2.2K ohm +/-5%	1/10W	1	ERJ6GMJ222 OR DBJ6GMJ222
R 29	RESISTOR, METAL OXIDE, CHIP.	2K ohm +/-5%	1/10W	1	ERJ6GMJ202 OR DBJ6GMJ202
R 30	RESISTOR, METAL OXIDE, CHIP.	150 ohm +/-5%	1/10W	1	ERJ6GMJ151 OR DBJ6GMJ151
R 31	RESISTOR, METAL OXIDE, CHIP.	150 ohm +/-5%	1/10W	1	ERJ6GMJ151 OR DBJ6GMJ151
R 32	RESISTOR, METAL OXIDE, CHIP.	47 ohm +/-5%	1/10W	1	ERJ6GMJ470 OR DBJ6GMJ470
R 33	RESISTOR, METAL OXIDE, CHIP.	100 ohm +/-5%	1/10W	1	ERJ6GMJ101 OR DBJ6GMJ101
R 34	RESISTOR, METAL OXIDE, CHIP.	4.03K ohm +/-1%	1/10W	1	ERJ6ENF4301 OR DBJ6GF4301
R 35	RESISTOR, METAL OXIDE, CHIP.	36K ohm +/-1%	1/10W	1	ERJ6ENF3602 OR DBJ6GF3602
R 36-37	NOT used				
R 38	RESISTOR, METAL OXIDE, CHIP.	100 ohm +/-5%	1/10W	1	ERJ6GMJ101 OR DBJ6GMJ101
R 39	RESISTOR, METAL OXIDE, CHIP.	620 ohm +/-5%	1/10W	1	ERJ6GMJ621 OR DBJ6GMJ621
R 40	RESISTOR, METAL OXIDE, CHIP.	620 ohm +/-5%	1/10W	1	ERJ6GMJ621 OR DBJ6GMJ621
R 41	RESISTOR, METAL OXIDE, CHIP.	1K ohm +/-5%	1/10W	1	ERJ6GMJ102 OR DBJ6GMJ102
R 42	RESISTOR, METAL OXIDE, CHIP.	10K ohm +/-5%	1/10W	1	ERJ6GMJ103 OR DBJ6GMJ103
R 43	NOT used				
R 44	RESISTOR, METAL OXIDE, CHIP.	3K ohm +/-1%	1/10W	1	ERJ6ENF3001 OR DBJ6FG3001
R 45	RESISTOR, METAL OXIDE, CHIP.	20K ohm +/-1%	1/10W	1	ERJ6ENF2002 OR DBJ6FG2002
R 46	RESISTOR, METAL OXIDE, CHIP.	7.5K ohm +/-1%	1/10W	1	ERJ6ENF7501 OR DBJ6FG7501
R 47	RESISTOR, METAL OXIDE, CHIP.	51K ohm +/-5%	1/10W	1	ERJ6GMJ513 OR DBJ6GMJ513
R 48	RESISTOR, METAL OXIDE, CHIP.	10K ohm +/-5%	1/10W	1	ERJ6GMJ103 OR DBJ6GMJ103
R 49	RESISTOR, METAL OXIDE, CHIP.	82K ohm +/-5%	1/10W	1	ERJ6GMJ823 OR DBJ6GMJ823
R 50	RESISTOR, METAL OXIDE, CHIP.	4.03K ohm +/-1%	1/10W	1	ERJ6ENF4301 OR DBJ6GF4301
R 51	RESISTOR, METAL OXIDE, CHIP.	12K ohm +/-1%	1/10W	1	ERJ6ENF1202 OR DBJ6GF1202
R 52	NOT used				
R 53	RESISTOR, METAL OXIDE, CHIP.	10K ohm +/-5%	1/10W	1	ERJ6GMJ103 OR DBJ6GMJ103
R 54	RESISTOR, METAL OXIDE, CHIP.	33 ohm +/-5%	3W	1	ERG3SJ330
R 55	RESISTOR, METAL OXIDE, CHIP.	2.2K ohm +/-1%	1/10W	1	ERJ6ENF2201 OR BFJ6GF2201
R 56	RESISTOR, METAL OXIDE, CHIP.	6.8K ohm +/-1%	1/10W	1	ERJ6ENF6801 OR BFJ6GF6801
R 57	RESISTOR, METAL OXIDE, CHIP.	1.8 ohm +/-5%	1W	1	ERX1SJ1R8
R 58	RESISTOR, METAL OXIDE, CHIP.	4.3K ohm +/-5%	1/10W	1	ERJ6GMJ432 OR DBJ6GMJ432
R 59	RESISTOR, METAL OXIDE, CHIP.	12K ohm +/-5%	1/10W	1	ERJ6GMJ123 OR DBJ6GMJ123
R 60	RESISTOR, METAL OXIDE, CHIP.	12K ohm +/-5%	1/10W	1	ERJ6GMJ123 OR DBJ6GMJ123
R 61	RESISTOR, METAL OXIDE, CHIP.	1K ohm +/-5%	1/10W	1	ERJ6GMJ102 OR DBJ6GMJ102
R 62	RESISTOR, METAL OXIDE, CHIP.	47 ohm +/-5%	1/10W	1	ERJ6GMJ470 OR DBJ6GMJ470
R 63	RESISTOR, METAL OXIDE, CHIP.	20K ohm +/-5%	1/10W	1	ERJ6GMJ203 OR DBJ6GMJ203
R 64	RESISTOR, METAL OXIDE, CHIP.	12K ohm +/-5%	1/10W	1	ERJ6GMJ123 OR DBJ6GMJ123
R 65-66	NOT used				
R 67	RESISTOR, METAL OXIDE, CHIP.	10K ohm +/-5%	1/10W	1	ERJ6GMJ103 OR DBJ6GMJ103
R 68	RESISTOR, METAL OXIDE, CHIP.	20K ohm +/-5%	1/10W	1	ERJ6GMJ203 OR DBJ6GMJ203
R 69	RESISTOR, METAL OXIDE, CHIP.	12K ohm +/-5%	1/10W	1	ERJ6GMJ123 OR DBJ6GMJ123
R 70-71	NOT used				
R 72	RESISTOR, METAL OXIDE, CHIP.	12K ohm +/-5%	1/10W	1	ERJ6GMJ123 OR DBJ6GMJ123
R 73	RESISTOR, METAL OXIDE, CHIP.	100 ohm +/-5%	1/2W	1	ERG12SJ101





REF. NO	DESCRIPTION	QTY	RS PART NO.	MFR'S PART NO.
R208	RESISTOR, METAL OXIDE, CHIP, 10K ohm +/-5% 1/10W	1		ERJ6GMYJ103 OR DBJ6GMJ103
R209-300	NOT used			
R301	RESISTOR, METAL OXIDE, CHIP, 4.7K ohm +/-5% 1/10W	1		ERJ6GMYJ472 OR DBJ6GMJ472
R302	RESISTOR, METAL OXIDE, CHIP, 100K ohm +/-5% 1/10W	1		ERJ6GMYJ105 OR DBJ6GMJ105
R303	RESISTOR, METAL OXIDE, CHIP, 10K ohm +/-5% 1/10W	1		ERJ6GMYJ103 OR DBJ6GMJ103
R304	RESISTOR, METAL OXIDE, CHIP, 10K ohm +/-5% 1/10W	1		ERJ6GMYJ103 OR DBJ6GMJ103
R305	RESISTOR, METAL OXIDE, CHIP, 10K ohm +/-5% 1/10W	1		ERJ6GMYJ103 OR DBJ6GMJ103
R306	RESISTOR, METAL OXIDE, CHIP, 10K ohm +/-5% 1/10W	1		ERJ6GMYJ103 OR DBJ6GMJ103
R307	RESISTOR, METAL OXIDE, CHIP, 10K ohm +/-5% 1/10W	1		ERJ6GMYJ103 OR DBJ6GMJ103
R308	NOT used			
R309	RESISTOR, METAL OXIDE, CHIP, 10K ohm +/-5% 1/10W	1		ERJ6GMYJ103 OR DBJ6GMJ103
R310	RESISTOR, METAL OXIDE, CHIP, 10K ohm +/-5% 1/10W	1		ERJ6GMYJ103 OR DBJ6GMJ103
R311	RESISTOR, METAL OXIDE, CHIP, 10K ohm +/-5% 1/10W	1		ERJ6GMYJ103 OR DBJ6GMJ103
R312	RESISTOR, METAL OXIDE, CHIP, 10K ohm +/-5% 1/10W	1		ERJ6GMYJ103 OR DBJ6GMJ103
R313	RESISTOR, METAL OXIDE, CHIP, 10K ohm +/-5% 1/10W	1		ERJ6GMYJ103 OR DBJ6GMJ103
R314-400	NOT used			
R401	RESISTOR, METAL OXIDE, CHIP, 10K ohm +/-5% 1/10W	1		ERJ6GMYJ103 OR DBJ6GMJ103
R402	RESISTOR, METAL OXIDE, CHIP, 10K ohm +/-5% 1/10W	1		ERJ6GMYJ103 OR DBJ6GMJ103
R403	NOT used			
R404	RESISTOR, METAL OXIDE, CHIP, 10K ohm +/-5% 1/10W	1		ERJ6GMYJ103 OR DBJ6GMJ103
R405	RESISTOR, METAL OXIDE, CHIP, 10K ohm +/-5% 1/10W	1		ERJ6GMYJ103 OR DBJ6GMJ103
R406	RESISTOR, METAL OXIDE, CHIP, 10K ohm +/-5% 1/10W	1		ERJ6GMYJ103 OR DBJ6GMJ103
R407	RESISTOR, METAL OXIDE, CHIP, 10K ohm +/-5% 1/10W	1		ERJ6GMYJ103 OR DBJ6GMJ103
R408	NOT used			
R409	RESISTOR, METAL OXIDE, CHIP, 1K ohm +/-5% 1/10W	1		ERJ6GMYJ102 OR DBJ6GMJ102
R410	RESISTOR, METAL OXIDE, CHIP, 1K ohm +/-5% 1/10W	1		ERJ6GMYJ102 OR DBJ6GMJ102
R411	RESISTOR, METAL OXIDE, CHIP, 1K ohm +/-5% 1/10W	1		ERJ6GMYJ102 OR DBJ6GMJ102
R412	RESISTOR, METAL OXIDE, CHIP, 1K ohm +/-5% 1/10W	1		ERJ6GMYJ102 OR DBJ6GMJ102
R413	RESISTOR, METAL OXIDE, CHIP, 1K ohm +/-5% 1/10W	1		ERJ6GMYJ102 OR DBJ6GMJ102
R414	RESISTOR, METAL OXIDE, CHIP, 4.7K ohm +/-5% 1/10W	1		ERJ6GMYJ472 OR DBJ6GMJ472
R415	RESISTOR, METAL OXIDE, CHIP, 1K ohm +/-5% 1/10W	1		ERJ6GMYJ102 OR DBJ6GMJ102
R416-500	NOT used			
R501	RESISTOR, METAL OXIDE, CHIP, 4.7K ohm +/-5% 1/10W	1		ERJ6GMYJ472 OR DBJ6GMJ472
R502-600	NOT used			
R601	RESISTOR, METAL OXIDE, CHIP, 10K ohm +/-5% 1/10W	1		ERJ6GMYJ103 OR DBJ6GMJ103
R602	RESISTOR, METAL OXIDE, CHIP, 10K ohm +/-5% 1/10W	1		ERJ6GMYJ103 OR DBJ6GMJ103
R603	RESISTOR, METAL OXIDE, CHIP, 1K ohm +/-5% 1/10W	1		ERJ6GMYJ102 OR DBJ6GMJ102
R604	RESISTOR, METAL OXIDE, CHIP, 10K ohm +/-5% 1/10W	1		ERJ6GMYJ103 OR DBJ6GMJ103
R605	RESISTOR, METAL OXIDE, CHIP, 10K ohm +/-5% 1/10W	1		ERJ6GMYJ103 OR DBJ6GMJ103
R606-700	NOT used			
R701	RESISTOR, METAL OXIDE, CHIP, 3.6K ohm +/-5% 1/10W	1		ERJ6GMYJ362 OR DBJ6GMJ362
R702-717	NOT used			
R718	RESISTOR, METAL OXIDE, CHIP, 10K ohm +/-5% 1/10W	1		ERJ6GMYJ103 OR DBJ6GMJ103
R719	RESISTOR, METAL OXIDE, CHIP, 10K ohm +/-5% 1/10W	1		ERJ6GMYJ103 OR DBJ6GMJ103
R720-726	NOT used			
R727	RESISTOR, METAL OXIDE, CHIP, 10K ohm +/-5% 1/10W	1		ERJ6GMYJ103 OR DBJ6GMJ103
R728	RESISTOR, METAL OXIDE, CHIP, 10K ohm +/-5% 1/10W	1		ERJ6GMYJ103 OR DBJ6GMJ103
R729	RESISTOR, METAL OXIDE, CHIP, 56 ohm +/-5% 1/10W	1		ERJ6GMYJ560 OR DBJ6GMJ560
R730-900	NOT used			
R901	RESISTOR, METAL OXIDE, CHIP, 10K ohm +/-5% 1/10W	1		ERJ6GMYJ103 OR DBJ6GMJ103
RESISTOR ARRAY				
RA1-400	NOT used			
RA401	RESISTOR ARRAY, METAL OXIDE, 4.7Kohm x4	1		DEANR4 J5J472
RA402	RESISTOR ARRAY, METAL OXIDE, 4.7Kohm x4	1		DEANR4 J5J472
RA403	RESISTOR ARRAY, METAL OXIDE, 4.7Kohm x4	1		DEANR4 J5J472
RA404	RESISTOR ARRAY, METAL OXIDE, 4.7Kohm x4	1		DEANR4 J5J472
RA405-700	NOT used			
RA701	RESISTOR ARRAY, METAL OXIDE, 10Kohm x4	1		DEANR4 J5J103
RA702	RESISTOR ARRAY, METAL OXIDE, 10Kohm x4	1		DEANR4 J5J103
RA703	RESISTOR ARRAY, METAL OXIDE, 10Kohm x4	1		DEANR4 J5J103
RA704	RESISTOR ARRAY, METAL OXIDE, 10Kohm x4	1		DEANR4 J5J103
RA705-900	NOT used			
RA901	RESISTOR ARRAY, METAL OXIDE, 10Kohm x4	1		DEANR4 J5J103
RA902	RESISTOR ARRAY, METAL OXIDE, 10Kohm x4	1		DEANR4 J5J103
RA903	RESISTOR ARRAY, METAL OXIDE, 10Kohm x4	1		DEANR4 J5J103

REF. NO	DESCRIPTION	QTY	RS PART NO.	MFR'S PART NO.
RA904	RESISTOR ARRAY, METAL OXIDE, 10Kohm x4	1		DEANR4J5J103
RA905	RESISTOR ARRAY, METAL OXIDE, 10Kohm x4	1		DEANR4J5J103
RA906	RESISTOR ARRAY, METAL OXIDE, 10Kohm x4	1		DEANR4J5J103
SOCKET				
E1-1	SOCKET, IC, BIOS, ROM, 28PIN	1		DFJS28R11Z
SWITCH				
SW1	SWITCH, POWER, PUSH, DC16V, 5A	1		DFSHA14W
THERMISTOR				
TH1	THERMISTOR, 10Kohm, 0.3mA, at 25deg.C	1		DBT103J
THYRISTER				
SC1	THYRISTER, 470mA(RMS), 200V	1		DED03P2JT1
TRANSISTOR				
Q 1	TRANSISTOR, 2SB1073R, PNP TYPE	1		2SB1073QTW OR 2SB1073PTW
Q 2	TRANSISTOR, RESISTOR BUILT-IN, UN2111, PNP TYPE	1		UN2111TW OR DETA114EKT97
Q 3	TRANSISTOR, 2SB709R, PNP TYPE, Chip	1		2SB709RTW OR 2SA1037KT97R
Q 4	TRANSISTOR, 2SB1073R, PNP TYPE	1		2SB1073QTW OR 2SB1073PTW
Q 5	TRANSISTOR, 2SB1073R, PNP TYPE	1		2SB1073QTW OR 2SB1073PTW
Q 6	TRANSISTOR, 2SB709R, PNP TYPE, Chip	1		2SB709RTW OR 2SA1037KT97R
Q 7	TRANSISTOR, RESISTOR, BUILT-IN, UN2119, PNP TYPE	1		UN2119TW OR DETA113ZKT97
Q 8	TRANSISTOR, RESISTOR, BUILT-IN, UN2211, NPN TYPE	1		UN2211TW OR DETC114EKT97
Q 9	TRANSISTOR, 2SB1073R, PNP TYPE	1		2SB1073QTW OR 2SB1073PTW
Q 10	TRANSISTOR, RESISTOR, BUILT-IN, UN2211, NPN TYPE	1		UN2211TW OR DETC114EKT97
Q 11	TRANSISTOR, 2SD1257P, NPN TYPE	1		2SD1257P
Q 12	TRANSISTOR, 2SA1534AR, PNP TYPE	1		2SA1534ARTA
Q 13	TRANSISTOR, 2SD601AR, NPN TYPE, Chip	1		2SD601ARTW OR 2SC2412KT97R
Q 14	TRANSISTOR, 2SB952P, PNP TYPE	1		2SB952P
Q 15	TRANSISTOR, RESISTOR BUILT-IN, UN2111, PNP TYPE	1		UN2111TW OR DETA114EKT97
Q 16	TRANSISTOR, RESISTOR, BUILT-IN, UN2211, NPN TYPE	1		UN2211TW OR DETC114EKT97
Q 17	TRANSISTOR, RESISTOR BUILT-IN, UN2111, PNP TYPE	1		UN2111TW OR DETA114EKT97
Q 18	TRANSISTOR, RESISTOR, BUILT-IN, UN2211, NPN TYPE	1		UN2211TW OR DETC114EKT97
Q 19	TRANSISTOR, RESISTOR BUILT-IN, UN2111, PNP TYPE	1		UN2111TW OR DETA114EKT97
Q 20	TRANSISTOR, 2SB952P, PNP TYPE	1		2SB952P
Q 21	TRANSISTOR, REGISTER BUILT-IN, UN2211, PNP TYPE	1		UN2211TW OR DETC114EKT97
Q 22	TRANSISTOR, RESISTOR, BUILT-IN, UN2119, PNP TYPE	1		UN2119TW OR DETA113ZKT97
Q 23-26	NOT used			
Q 27	TRANSISTOR, DUAL ELEMENT, RESISTOR BUILT-IN, XM4311	1		XM4311TW OR DET1MD3TA
Q 28-100	NOT used			
Q101	TRANSISTOR, RESISTOR, BUILT-IN, UN2119, PNP TYPE	1		UN2119TW OR DETA113ZKT97
Q102	TRANSISTOR, RESISTOR, BUILT-IN, UN2119, PNP TYPE	1		UN2119TW OR DETA113ZKT97
Q103-600	NOT used			
Q601	TRANSISTOR, RESISTOR, BUILT-IN, UN211F, PNP TYPE	1		UN211FTW OR DETA143XKT97
Q602	TRANSISTOR, 2SB710AR, PNP TYPE	1		2SB710ARTW OR 2SA1036KPTAE
Q603	TRANSISTOR, RESISTOR, BUILT-IN, UN221E, NPN TYPE	1		UN221ETW OR DETC144WKT97

### Sub Assembly PCB Parts List [Basic Manual Page N/A] (European versions)

REF. NO	DESCRIPTION	QTY	RS PART NO.	MFR'S PART NO.
E9	Ass'y, PCB, Sub	1		DFWV48C155ZA
CAPACITOR				
C1-34	NOT used			
C 34	CAPACITOR, CERAMIC 0.1 uF +80/-20% 25V	1		ECFF1E104ZFB
C 35	CAPACITOR, ELECTROLYTIC 100 uF +/-20% 16V	1		ECEA1CU101
C 36	CAPACITOR, ELECTROLYTIC 10 uF +/-20% 16V	1		ECEA1CU100
CONNECTOR				
CN1-6	NOT used			
CN7	CONNECTOR, FEMALE, MAIN PCB, 3-PIN	1		RJP3G9Y
FILTER				
LC1-319	NOT used			
LC320	FILTER, EMI, 22000 PF, 3-PIN	1		DEA306F223TL
IC				
IC1-10	NOT used			
IC11	IC, M5237L, REGULATOR, 3-TERMINAL	1		DAM5237LTAM OR DABA10393FTE
RESISTOR				
RI-73	NOT used			

REF. NO	DESCRIPTION	QTY	RS PART NO.	MFR'S PART NO.
R74	REGISTOR, CARBON 220 ohm +/-5% 1/4 W	1		ERDS2TJ221
R75	REGISTOR, CARBON 470 ohm +/-5% 1/4 W	1		ERDS2TJ471
R76	REGISTOR, METAL OXIDE 21.5K ohm +/-1% 1/4 W	1		ERO25CKF2152
R77	REGISTOR, METAL OXIDE 14.7K ohm +/-1% 1/4 W	1		ERO25CKF1472
R78	REGISTOR, METAL OXIDE 1.8K ohm +/-1% 1/4 W	1		ERO25CKF1801
R79	REGISTOR, METAL OXIDE 10K ohm +/-1% 1/4 W	1		ERO25CKF1002
R80	REGISTOR, CARBON 100K ohm +/-5% 1/4 W	1		ERDS2TJ104
<b>THERMISTOR</b>				
TH1-2	NOT used			
TH3	THERMISTOR 10K ohm, 0.3 mA AT 25 deg C	1		DBT103J
<b>TRANSISTOR</b>				
Q1-23	NOT used			
Q24	TRANSISTOR, 2SB952P, PNP TYPE	1		2SB952P OR 2SB952Q OR 2SB952R
Q25	TRANSISTOR, RESISTER BUILT-IN, UN4111, PNP TYPE	1		DETA114ESTP OR UN4111TA
Q26	TRANSISTOR, RESISTER BUILT-IN, UN4211, NPN TYPE	1		DETC114ESTP OR UN4211TA

### FL Inverter PCB Parts List [Basic Manual Page N/A] (European versions)

REF. NO	DESCRIPTION	QTY	RS PART NO.	MFR'S PART NO.
E10	Ass'y, PCB, FL Inverter	1		DFWV48C157ZA
<b>CAPACITOR</b>				
C1-900	NOT used			
C901	CAPACITOR, 68 uF	1		ECHS1H683JZ
C902	CAPACITOR, 22 pF	1		DCCD3F220J
<b>COIL INDUCTOR</b>				
L1-900	NOT used			
L901	COIL INDUCTOR, 220 uF	1		DDAWZ221KV
<b>CONNECTOR</b>				
CN1-901	NOT used			
CN902	CONNECTOR, FEMALE, BACKLIGHT, 2-PIN	1		DFJP03C11Y
CN903	CONNECTOR, FEMALE, MAIN PCB, 2-PIN	1		DFJP02C55Z
<b>FUSE</b>				
F1-F900	NOT used			
F901	FUSE, FAST BLOW, 0.5 A, 125 V, 7.5 mm(L)X2.6 mm(H), WITH PIGTAIL	1		XBAD72R500K
<b>RESISTOR</b>				
R1-901	NOT used			
R902	RESISTOR, CARBON, 2.2K ohm +/-5% 1/4 W	1		ERDS2TJ222
<b>TRANSFORMER</b>				
T1-900	NOT used			
T901	TRANSFORMER	1		DDI9Z009
<b>TRANSISTOR</b>				
Q1-900	NOT used			
Q901	TRANSISTOR, 2SD592A, NPN TYPE	1		2SD592AR OR 2SD592AS
Q902	TRANSISTOR, 2SD592A, NPN TYPE	1		2SD592AR OR 2SD592AS

### LCD Unit Assembly Parts List [Basic Manual Page 6-22] (European versions)

REF. NO	DESCRIPTION	QTY	RS PART NO.	MFR'S PART NO.
E4	Ass'y, LCD UNIT, 640x200dots, (NON-REPAIRABLE)	1		DFWV08A005ZA

# Keyboard Unit Assembly Parts List [Basic Manual Pages 6-28 & 6-29] (U.K. and Belgium-1 versions)

REF. NO	DESCRIPTION	QTY	RS PART NO.	MFR'S PART NO.
E6	Ass'y. KEYBOARD, ENGLISH	1		DFSX1A14Z
KEYTOP				
1	KEYTOP, ESC	1		DFWV70C3206
2	KEYTOP, F1	1		DFWV70C3207
3	KEYTOP, F2	1		DFWV70C3208
4	KEYTOP, F3	1		DFWV70C3209
5	KEYTOP, F4	1		DFWV70C3210
6	KEYTOP, F5	1		DFWV70C3211
7	KEYTOP, F6	1		DFWV70C3212
8	KEYTOP, F7	1		DFWV70C3213
9	KEYTOP, F8	1		DFWV70C3214
10	KEYTOP, F9	1		DFWV70C3215
11	KEYTOP, F10	1		DFWV70C3216
12	KEYTOP, F11	1		DFWV70C3217
13	KEYTOP, F12	1		DFWV70C3218
14	KEYTOP, NumLk	1		DFWV70C3219
15	KEYTOP, ScrLk	1		DFWV70C3220
16	KEYTOP, PrtSc	1		DFWV70C3221
17	KEYTOP, KeyPad	1		DFWV70C3222
18	KEYTOP, ! 1	1		DFWV70C3223
19	KEYTOP, " 2	1		DFWV70CA231
20	KEYTOP, £ 3	1		DFWV70CA232
21	KEYTOP, \$ 4	1		DFWV70C3226
22	KEYTOP, % 5	1		DFWV70C3227
23	KEYTOP, ^ 6	1		DFWV70C3228
24	KEYTOP, & 7	1		DFWV70C3229
25	KEYTOP, * 8	1		DFWV70C3230
26	KEYTOP, ( 9	1		DFWV70C3231
27	KEYTOP, ) 0	1		DFWV70C3232
28	KEYTOP, - -	1		DFWV70C3233
29	KEYTOP, + =	1		DFWV70C3234
30	KEYTOP, ← (BACKSPACE)	1		DFWV70C3235
31	KEYTOP, Home	1		DFWV70C3236
32	KEYTOP, ⇧ (TABKEY)	1		DFWV70C3237
33	KEYTOP, Q	1		DFWV70C3238
34	KEYTOP, W	1		DFWV70C3239
35	KEYTOP, E	1		DFWV70C3240
36	KEYTOP, R	1		DFWV70C3241
37	KEYTOP, T	1		DFWV70C3242
38	KEYTOP, Y	1		DFWV70C3243
39	KEYTOP, U	1		DFWV70C3244
40	KEYTOP, I	1		DFWV70C3245
41	KEYTOP, O	1		DFWV70C3246
42	KEYTOP, P	1		DFWV70C3247
43	KEYTOP, { [	1		DFWV70C3248
44	KEYTOP, } ]	1		DFWV70C3249
45	KEYTOP, ~ #	1		DFWV70CA233
46	KEYTOP, PgUp	1		DFWV70C3251
47	KEYTOP, CapsLock	1		DFWV70C3252
48	KEYTOP, A	1		DFWV70C3253
49	KEYTOP, S	1		DFWV70C3254
50	KEYTOP, D	1		DFWV70C3255
51	KEYTOP, F	1		DFWV70C3256
52	KEYTOP, G	1		DFWV70C3257
53	KEYTOP, H	1		DFWV70C3258
54	KEYTOP, J	1		DFWV70C3259
55	KEYTOP, K	1		DFWV70C3260
56	KEYTOP, L	1		DFWV70C3261
57	KEYTOP, : ;	1		DFWV70C3262
58	KEYTOP, @ /	1		DFWV70CA234
59	KEYTOP, Enter	1		DFWV70C3264
60	KEYTOP, PgDn	1		DFWV70C3265
61	KEYTOP, Shift (Left)	1		DFWV70C3266
62	KEYTOP, Z	1		DFWV70C3267
63	KEYTOP, X	1		DFWV70C3268

REF. NO	DESCRIPTION	Q'TY	RS PART NO.	MFR'S PART NO.
64	KEYTOP, C	1		DFWV70C3269
65	KEYTOP, V	1		DFWV70C3270
66	KEYTOP, B	1		DFWV70C3271
67	KEYTOP, N	1		DFWV70C3272
68	KEYTOP, M	1		DFWV70C3273
69	KEYTOP, < ,	1		DFWV70C3274
70	KEYTOP, > .	1		DFWV70C3275
71	KEYTOP, ? /	1		DFWV70C3276
72	KEYTOP, Shift (Right)	1		DFWV70C3277
73	KEYTOP, ↑	1		DFWV70C3278
74	KEYTOP, End	1		DFWV70C3279
75	KEYTOP, Ctrl	1		DFWV70C3280
76	KEYTOP, Fn	1		DFWV70C3281
77	KEYTOP, Alt Gr Alt	1		DFWV70C4226
78	KEYTOP, —	1		DFWV70C4235
79	KEYTOP, Ins	1		DFWV70C3284
80	KEYTOP, Del	1		DFWV70C3285
81	KEYTOP, ←	1		DFWV70C3286
82	KEYTOP, ↓	1		DFWV70C3287
83	KEYTOP, →	1		DFWV70C3288
84	KEYTOP, Space	1		DFWV70C4236
E6-1	SWITCH, MEMBRANE, KEYBOARD			DFWV48C146Z
E6-2	SPRING, RUBBER, KEYTOP	84		DFWV65D0022
E6-3	ROD, CapsLock, ←, Enter	3		DFWV711H0025
E6-4	ROD, SHIFT (LEFT)	1		DFWV711H0026
E6-5	ROD, SPACE BAR	1		DFWV711H0027
E6-6	SCREW, CROSS-RECESSED FLUSH HEAD, TAPPING, KEYBOARD, M2X5mm	21		DFWV50B0006
E6-7	SPACER SHEET	1		DFWV65C0177

## Keyboard Unit Assembly Parts List [Basic Manual Pages 6-28 & 6-29] (French version)

REF. NO	DESCRIPTION	Q'TY	RS PART NO.	MFR'S PART NO.
E6	Ass'y. KEYBOARD, FRENCH	1		DFSX1A15Z
KEYTOP				
1	KEYTOP, Echap	1		DFWV70C4190
2	KEYTOP, F1	1		DFWV70C3207
3	KEYTOP, F2	1		DFWV70C3208
4	KEYTOP, F3	1		DFWV70C3209
5	KEYTOP, F4	1		DFWV70C3210
6	KEYTOP, F5	1		DFWV70C3211
7	KEYTOP, F6	1		DFWV70C3212
8	KEYTOP, F7	1		DFWV70C3213
9	KEYTOP, F8	1		DFWV70C3214
10	KEYTOP, F9	1		DFWV70C3215
11	KEYTOP, F10	1		DFWV70C3216
12	KEYTOP, F11	1		DFWV70C3217
13	KEYTOP, F12	1		DFWV70C3218
14	KEYTOP, Ver Num Pause	1		DFWV70C4191
15	KEYTOP, Art D f Attn	1		DFWV70C4192
16	KEYTOP, ImprEcr	1		DFWV70C4193
17	KEYTOP, Sys KeyPad	1		DFWV70C4194
18	KEYTOP, 1 &	1		DFWV70C4195
19	KEYTOP, 2 é	1		DFWV70C4196
20	KEYTOP, 3 " #	1		DFWV70C4197
21	KEYTOP, 4 ' {	1		DFWV70C4198
22	KEYTOP, 5 ( [	1		DFWV70C4199
23	KEYTOP, 6 - :	1		DFWV70C4200
24	KEYTOP, 7 è 7	1		DFWV70C4201
25	KEYTOP, 8 - 8	1		DFWV70C4202
26	KEYTOP, 9 ç	1		DFWV70C4203
27	KEYTOP, 0 à * @	1		DFWV70C4204
28	KEYTOP, . ) ]	1		DFWV70C4205
29	KEYTOP, + = )	1		DFWV70C4206
30	KEYTOP, ← (BACKSPACE)	1		DFWV70C3235

REF. NO	DESCRIPTION	QTY	RS PART NO.	MFR'S PART NO.
31	KEYTOP, Home	1		DFWV70C4207
32	KEYTOP, ⇧ (TABKEY)	1		DFWV70C3237
33	KEYTOP, Q	1		DFWV70C4208
34	KEYTOP, W	1		DFWV70C4209
35	KEYTOP, E	1		DFWV70C3240
36	KEYTOP, R	1		DFWV70C3241
37	KEYTOP, T	1		DFWV70C3242
38	KEYTOP, Y	1		DFWV70C3243
39	KEYTOP, U	1		DFWV70C3244
40	KEYTOP, I	1		DFWV70C3245
41	KEYTOP, O	1		DFWV70C3246
42	KEYTOP, P	1		DFWV70C3247
43	KEYTOP, " ' ~	1		DFWV70C4210
44	KEYTOP, & \$	1		DFWV70C4211
45	KEYTOP, u *	1		DFWV70C4212
46	KEYTOP, †	1		DFWV70C4213
47	KEYTOP, ⊕	1		DFWV70C4214
48	KEYTOP, A	1		DFWV70C4215
49	KEYTOP, S	1		DFWV70C3254
50	KEYTOP, D	1		DFWV70C3255
51	KEYTOP, F	1		DFWV70C3256
52	KEYTOP, G	1		DFWV70C3257
53	KEYTOP, H	1		DFWV70C3258
54	KEYTOP, J	1		DFWV70C3259
55	KEYTOP, K	1		DFWV70C3260
56	KEYTOP, L	1		DFWV70C3261
57	KEYTOP, M +	1		DFWV70C4216
58	KEYTOP, % u	1		DFWV70C4217
59	KEYTOP, Entrée	1		DFWV70C4218
60	KEYTOP, ‡	1		DFWV70C4219
61	KEYTOP, Shift (Left)	1		DFWV70C3266
62	KEYTOP, W	1		DFWV70C4220
63	KEYTOP, X	1		DFWV70C3268
64	KEYTOP, C	1		DFWV70C3269
65	KEYTOP, V	1		DFWV70C3270
66	KEYTOP, B	1		DFWV70C3271
67	KEYTOP, N	1		DFWV70C3272
68	KEYTOP, ? ' 0	1		DFWV70C4221
69	KEYTOP, . ;	1		DFWV70C4222
70	KEYTOP, / ;	1		DFWV70C4223
71	KEYTOP, \$ ! /	1		DFWV70C4224
72	KEYTOP, Shift (Right)	1		DFWV70C3277
73	KEYTOP, †	1		DFWV70C3278
74	KEYTOP, Fin	1		DFWV70C4225
75	KEYTOP, Ctrl	1		DFWV70C3280
76	KEYTOP, Fn	1		DFWV70C3281
77	KEYTOP, AltGr Alt	1		DFWV70C4226
78	KEYTOP, 2	1		DFWV70C4227
79	KEYTOP, Insér	1		DFWV70C4228
80	KEYTOP, Suppr	1		DFWV70C4229
81	KEYTOP, ←	1		DFWV70C3286
82	KEYTOP, ↓	1		DFWV70C3287
83	KEYTOP, →	1		DFWV70C3288
84	KEYTOP, Space	1		DFWV70C4230
E6-1	SWITCH, MEMBRANE, KEYBOARD	1		DFWV48C146Z
E6-2	SPRING, RUBBER, KEYTOP	84		DFWV65D0022
E6-3	ROD, CapsLock, ⇐, Enter	3		DFWV71H0025
E6-4	ROD, SHIFT (LEFT)	1		DFWV71H0026
E6-5	ROD, SPACE BAR	1		DFWV71H0027
E6-6	SCREW, CROSS-RECESSED FLUSH HEAD, TAPPING, KEYBOAR, M2X5mm	21		DFWV50B0006
E6-7	SPACER SHEET	1		DFWV65C0177

# Keyboard Unit Assembly Parts List [Basic Manual Pages 6-28 & 29] (Belgium-2 version)

REF. NO	DESCRIPTION	QTY	RS PART NO.	MFR'S PART NO.
E6	Ass'y, KEYBOARD, BELGIUM	1		DFSX1A16Z
KEYTOP				
1	KEYTOP, ESC	1		DFWV70C3206
2	KEYTOP, F1	1		DFWV70C3207
3	KEYTOP, F2	1		DFWV70C3208
4	KEYTOP, F3	1		DFWV70C3209
5	KEYTOP, F4	1		DFWV70C3210
6	KEYTOP, F5	1		DFWV70C3211
7	KEYTOP, F6	1		DFWV70C3212
8	KEYTOP, F7	1		DFWV70C3213
9	KEYTOP, F8	1		DFWV70C3214
10	KEYTOP, F9	1		DFWV70C3215
11	KEYTOP, F10	1		DFWV70C3216
12	KEYTOP, F11	1		DFWV70C3217
13	KEYTOP, F12	1		DFWV70C3218
14	KEYTOP, NumLk	1		DFWV70C3219
15	KEYTOP, ScrLk	1		DFWV70C3220
16	KEYTOP, PrtSc	1		DFWV70C3221
17	KEYTOP, SysRq KeyPad	1		DFWV70C4237
18	KEYTOP, 1 & !	1		DFWV70C4238
19	KEYTOP, 2 @	1		DFWV70C4239
20	KEYTOP, 3 #	1		DFWV70C4197
21	KEYTOP, 4 \$	1		DFWV70C4240
22	KEYTOP, 5 %	1		DFWV70C4241
23	KEYTOP, 6 ^	1		DFWV70C4242
24	KEYTOP, 7 &	1		DFWV70C4243
25	KEYTOP, 8 *	1		DFWV70C4244
26	KEYTOP, 9 (	1		DFWV70C4245
27	KEYTOP, 0 )	1		DFWV70C4246
28	KEYTOP, - _	1		DFWV70C4247
29	KEYTOP, = >	1		DFWV70C4248
30	KEYTOP, ← (BACKSPACE)	1		DFWV70C3235
31	KEYTOP, Home	1		DFWV70C3236
32	KEYTOP, ⇧ (TABKEY)	1		DFWV70C3237
33	KEYTOP, A	1		DFWV70C4208
34	KEYTOP, Z	1		DFWV70C4209
35	KEYTOP, E	1		DFWV70C3240
36	KEYTOP, R	1		DFWV70C3241
37	KEYTOP, T	1		DFWV70C3242
38	KEYTOP, Y	1		DFWV70C3243
39	KEYTOP, U	1		DFWV70C3244
40	KEYTOP, I	1		DFWV70C3245
41	KEYTOP, O	1		DFWV70C3246
42	KEYTOP, P	1		DFWV70C3247
43	KEYTOP, * ~ [	1		DFWV70C4249
44	KEYTOP, * \$ ]	1		DFWV70C4250
45	KEYTOP, & #	1		DFWV70C4251
46	KEYTOP, PgUp	1		DFWV70C3251
47	KEYTOP, CapsLock	1		DFWV70C3252
48	KEYTOP, Q	1		DFWV70C4215
49	KEYTOP, S	1		DFWV70C3254
50	KEYTOP, D	1		DFWV70C3255
51	KEYTOP, F	1		DFWV70C3256
52	KEYTOP, G	1		DFWV70C3257
53	KEYTOP, H	1		DFWV70C3258
54	KEYTOP, J	1		DFWV70C3259
55	KEYTOP, K	1		DFWV70C3260
56	KEYTOP, L	1		DFWV70C3261
57	KEYTOP, M +	1		DFWV70C4216
58	KEYTOP, % ^ '	1		DFWV70C4252
59	KEYTOP, Enter	1		DFWV70C3264
60	KEYTOP, PgDn	1		DFWV70C3265
61	KEYTOP, Shift (Left)	1		DFWV70C3266
62	KEYTOP, W	1		DFWV70C4220
63	KEYTOP, X	1		DFWV70C3268



REF. NO	DESCRIPTION	QTY	RS PART NO.	MFR'S PART NO.
64	KEYTOP, C	1		DFWV70C3269
65	KEYTOP, V	1		DFWV70C3270
66	KEYTOP, B	1		DFWV70C3271
67	KEYTOP, N	1		DFWV70C3272
68	KEYTOP, ? ' 0	1		DFWV70C4253
69	KEYTOP, . ;	1		DFWV70C4254
70	KEYTOP, / :	1		DFWV70C4255
71	KEYTOP, + = / ~	1		DFWV70C4256
72	KEYTOP, Shift (Right)	1		DFWV70C3277
73	KEYTOP, ↓	1		DFWV70C3278
74	KEYTOP, End	1		DFWV70C3279
75	KEYTOP, Ctrl	1		DFWV70C3280
76	KEYTOP, Fn	1		DFWV70C3281
77	KEYTOP, AltGr Alt	1		DFWV70C4226
78	KEYTOP, 3 2	1		DFWV70C4257
79	KEYTOP, Ins	1		DFWV70C3284
80	KEYTOP, Del	1		DFWV70C3285
81	KEYTOP, ←	1		DFWV70C3286
82	KEYTOP, ↓	1		DFWV70C3287
83	KEYTOP, →	1		DFWV70C3288
84	KEYTOP, Space	1		DFWV70C4258
E6-1	SWITCH, MEMBRANE, KEYBOARD	1		DFWV48C146Z
E6-2	SPRING, RUBBER, KEYTOP	84		DFWV65D0022
E6-3	ROD, CapsLock, ←, Enter	3		DFWV71H0025
E6-4	ROD, SHIFT (LEFT)	1		DFWV71H0026
E6-5	ROD, SPACE BAR	1		DFWV71H0027
E6-6	SCREW, CROSS-RECESSED FLUSH HEAD, TAPPING, KEYBOARD, M2X5mm	21		DFWV50B0006
E6-7	SPACER SHEET	1		DFWV65C0177

## Mechanical and Assembly Parts List [Basic Manual Page 6-30] (Canadian, Australian and European versions)

REF. NO	DESCRIPTION	QTY	RS PART NO.	MFR'S PART NO.
K1	CASE, TOP, BEIGE, U. K. / AUSTRALIA / FRANCE / BELGIUM 1 / BELGIUM 2	1		DFKM0092W0
K1	CASE, TOP, BEIGE, CANADA	1		DFKM0092Z0
K2	SCREW, BLAZER HEAD, TAPPING M3X10mm	1		XTV3+10GFN
K3	COVER, HINGE, LEFT, BEIGE	1		DFKE0145Z0
K4	COVER, HINGE, RIGHT, BEIGE	1		DFKE0146Z0
K5	BINDER, CABLE	1		RHR166Z
K6	COVER, BATTERY, BEIGE, U. K. / AUSTRALIA / FRANCE / BELGIUM 1 / BELGIUM 2	1		DFKK0014X0
K6	COVER, BATTERY, BEIGE, CANADA	1		DFKK0014Z0
K7	NOT used			
K8	SEAL, SCREW, BEIGE	2		DFHG917Z1
K9	FRAME, LCD, PLASTIC, U. K. / AUSTRALIA / FRANCE / BELGIUM 1 / BELGIUM 2	1		DFKF0077R0
K9	FRAME, LCD, PLASTIC, CANADA	1		DFKF0077Y0
K10	SHIELD PLATE, LCD, U. K.	1		DFMC0209Z
K10	SHIELD PLATE, LCD, AUSTRALIA	1		DFMC0224Y
K10	SHIELD PLATE, LCD, CANADA	1		DFMC0224Y
K11	SCREW, PAN HEAD WITH WASHER AND SPRING WASHER, M3X8mm	3		XYN3+J8
K12	KNOB, CONTRAST, LCD, BEIGE	1		DFBD0024Z1
K13	Ass'y, HINGE, LEFT, (NON-REPAIRABLE)	1		DFWV65A0164
K14	Ass'y, HINGE, RIGHT (NON-REPAIRABLE)	1		DFWV65A0165
K15	NOT used			
K16	CASE, LCD, BEIGE, U. K. / AUSTRALIA / FRANCE / BELGIUM 1 / BELGIUM 2	1		DFKM0094T0
K16	CASE, LCD, BEIGE, CANADA	1		DFKM0094Z0
K17	KNOB, POWER SWITCH	1		DFBC0052Z2
K18	FRAME, CONNECTOR, METAL	1		DFUA0092Y0
K19	COVER, MODEM, METAL, REAR	1		DFGX0077Z0
K20	SCREW, PAN HEAD WITH WASHER AND SPRING WASHER, M3X6mm	4		XYN3+J6
K21	SHIELD PLATE, MAIN PCB, TOP	1		DFMC0221Y
K22	SHIELD PLATE, MAIN PCB, BOTTOM	1		DFMC0222Y
K23	PROTECTOR, CABLE	2		DFHR5159Z
K24	FRAME, FDD	1		DFMD2028Z

REF. NO	DESCRIPTION	QTY	RS PART NO.	MFR'S PART NO.
K25	CUSHION, CORE, BLACK	1		DFHR8053Z
K26	CUSHION, CORE, BLACK	1		DFHR8052Y
K27	CUSHION, CORE, BLACK	1		DFHR8053Z
K28	SHIELD PLATE, MODEM, TOP	1		DFMC0223Y
K29	COVER, PARALLEL & SERIAL CONNECTORS REAR, BEIGE	1		DFGX0076Z0
K30	Ass'y, CASE, BOTTOM, BEIGE, U.K./AUSTRALIA	1		DFWV80C0142A
K30	Ass'y, CASE, BOTTOM, BEIGE, CANADA	1		DFWV80C0141
	- CASE, BOTTOM, BEIGE, U.K./AUSTRALIA	1		DFKF0080W0
	- CASE, BOTTOM, BEIGE, CANADA	1		DFKF0080Z0
	- KNOB, LOCK, BEIGE	1		DFBD0026Z0
	- HOOK, DISPLAY, BEIGE	1		DFHR5154Z1
	- SPRING, COIL, HOOK	1		DFUW0032Z
	- FOOT, RUBBER, 5mm (Dia), BLACK	2		RHG338Z0
	- WINDOW, LED, FLOPPY DISK DRIVE, SUNSET ORANGE	1		ME13TB53A
	- PLATE, RATING	1		DFGT0244Z
K31	SCREW, BLAZER HEAD, TAPPING M3X8mm	1		XTV3+8G
K32	SHIELD PLATE, FDD	1		DFMC0239Y
K33	SHEET, INSULATION, FDD	1		DFMX0154Z
K34	SCREW, PAN HEAD WITH WASHER AND SPRING WASHER, M3X6mm	2		XYN3+C6FN
K35	NOT used			
K36	SPRING WASHER	1		XWA3B
K37	Ass'y, CONNECTOR, LCD	1		DFJS01Z01Z
K38	Ass'y, CONNECTOR, FDD	1		DFJE24A105AS
K39	Ass'y, CONNECTOR, BATTERY	1		DFJP0055ZAT
K40	PLATE, REFLECTION	1		DFHR7069Z
K41	Ass'y, CONNECTOR, LAMP	1		2JS-U1S50J
K42	HOLDER, INSULATION, LAMP	1		DFHG202Z
K43	HOLDER, INSULATION, LAMP	1		DFHG201Z
K44	LAMP, FLUORESCENT	1		K-C152T6AE4
K45	RUBBER, HEAT SINK	1		DFHG919Y
K46	PANEL, LEADING LIGHT	1		DFDH0006X

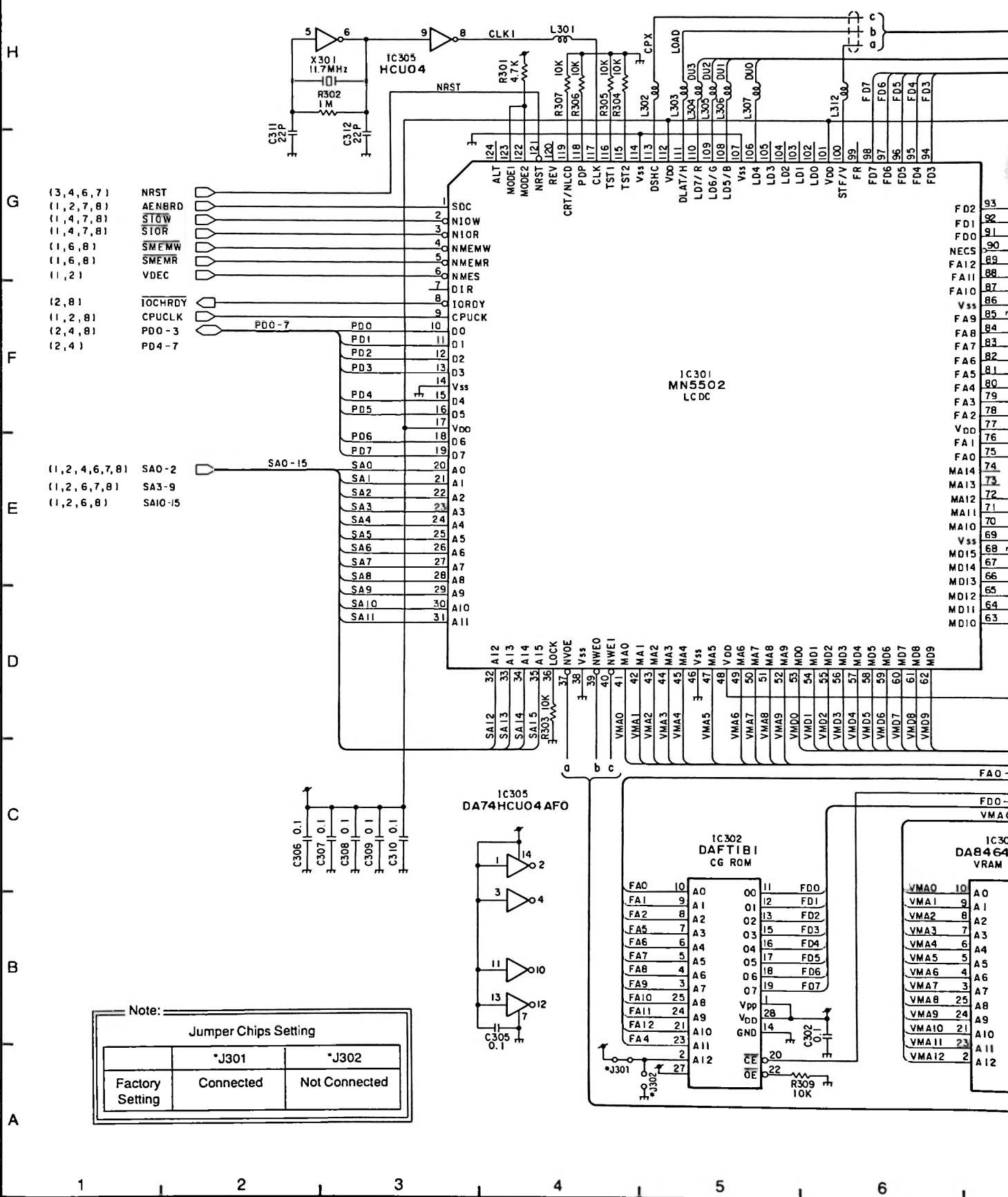
### Accessories [Basic Manual Page 6-31] (Canadian, Australian and European versions)

REF. NO	DESCRIPTION	QTY	RS PART NO.	MFR'S PART NO.
E7	BATTERY, RECHARGEABLE, LEAD-ACID, 6 V, 1.8 AH (WITH FUSE)	1		UP6V1R8AJHT
E7-1	FUSE, BATTERY, RECHARGEABLE, 4A, 125V, 2.5mm(Dia)X10mm(L)	1		DFWV38A0031
E8	AC ADAPTER, 220-240 Vac (INPUT), 9.5 Vdc (OUTPUT), MAX 2.1 A, U.K./AUSTRALIA	1		FT-AA910TNA1
E8	AC ADAPTER, 85-135 Vac (INPUT), 9.5 Vdc (OUTPUT), MAX 2.1 A, CANADA	1		FT-AA96TNC
E11	CABLE, AC, U.K.	1		DFJA04Z
E11	CABLE, AC, FRANCE	1		DFJA05Y
E11	CABLE, AC, AUSTRALIA	1		DFJA07Y
E11	CABLE, AC, BELGIUM	1		DFJA05Y
	FLOPPY DISK, SYSTEM, MS-DOS	1		DFJN168ZA
	FLOPPY DISK, DESKMATE (1 OF 2)	1		DFJN169ZA
	FLOPPY DISK, DESKMATE (2 OF 2)	1		DFJN170ZA

### Hardware Kit [Basic Manual Page 6-31] (European versions)

REF. NO	DESCRIPTION	QTY	RS PART NO.	MFR'S PART NO.
	HARDWARE KIT	1		DFWV95C0058
K 2	SCREW, BLAZER, TAPPING M3X10mm	4		XTV3+10GFN
K 7	SCREW, BINDING HEAD M3X8mm	4		XSB3+8FN
K15	SCREW, PAN HEAD WITH WASHER AND SPRING WASHER, M2.6X6mm	4		XYN26+C6
K20	SCREW, PAN HEAD WITH AND SPRING WASHER M3X6mm	7		XYN3+J6
K31	SCREW, BLAZER HEAD TAPPING, M3X8mm	11		XTV3+8G
K35	SCREW, PAN HEAD WITH WASHER AND SPRING WASHER, M3X8mm	1		XYN3+J8

# LCDC, CG ROM and VRAM Circuits (Sheet No. 5 of 9) (European versions)



- (3, 4, 6, 7) NRST
- (1, 2, 7, 8) AENBRD
- (1, 4, 7, 8) STOW
- (1, 4, 7, 8) STOR
- (1, 6, 8) SMEMW
- (1, 6, 8) SMEMR
- (1, 2) VDEC
- (2, 8) IOCHRDY
- (1, 2, 8) CPUCLK
- (2, 4, 8) P00-3
- (2, 4) P04-7
- (1, 2, 4, 6, 7, 8) SA0-2
- (1, 2, 6, 7, 8) SA3-9
- (1, 2, 6, 8) SA10-15

Note:

Jumper Chips Setting		
	*J301	*J302
Factory Setting	Connected	Not Connected

FA0	10	A0	00	F00
FA1	9	A1	01	F01
FA2	8	A2	02	F02
FA5	7	A3	03	F03
FA6	6	A4	04	F04
FA7	5	A5	05	F05
FA8	4	A6	06	F06
FA9	3	A7	07	F07
FA10	25	A8	08	
FA11	24	A9	09	
FA12	21	A10	10	
FA4	23	A11	11	
		A12	12	

VMA0	10	A0
VMA1	9	A1
VMA2	8	A2
VMA3	7	A3
VMA4	6	A4
VMA5	5	A5
VMA6	4	A6
VMA7	3	A7
VMA8	25	A8
VMA9	24	A9
VMA10	21	A10
VMA11	23	A11
VMA12	2	A12